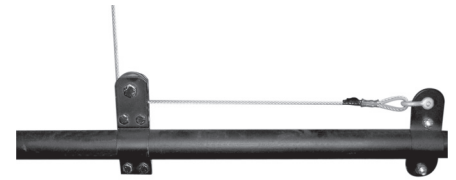


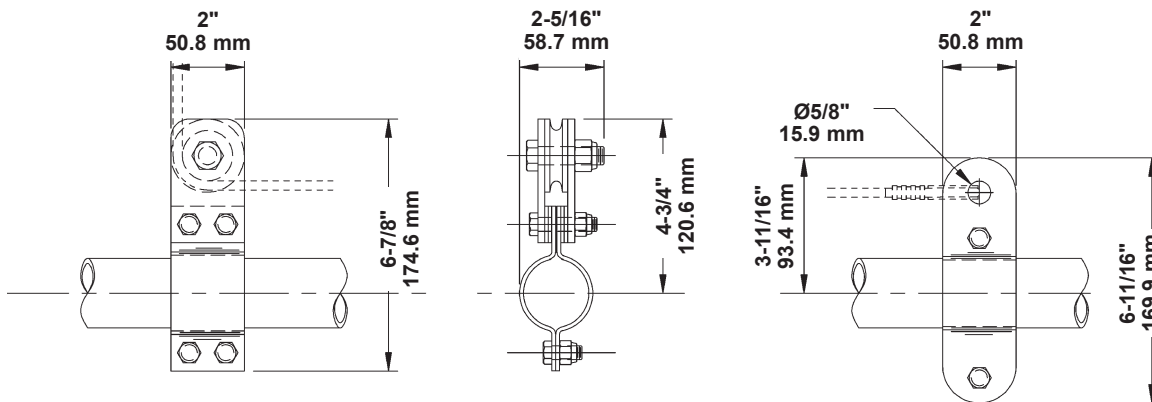
# Batten Trim Clamp

- Allows quick trim adjustment with the least reduction in travel distance.
- Fixed clamp with diverter is located at the lift line. Movable clamp is used to adjust batten height.
- For use with 1-1/2" (38 mm) battens only.
- For additional adjustment, add a turnbuckle.



**Batten Trim Clamp**  
026-23x1.5

## Dimensions



## Order Information

Number	Description	RWL	Weight
026-23x1.5	Batten Trim Clamp	700 lbs. (317.5 kg)	2.5 lbs. (1.1 kg)
<b>RWL:</b> RWL is maximum load that can be applied to the batten trim clamp which is in "like new" condition and has been properly installed, maintained, and operated.			



**Design, Manufacture and Installation of Theatrical Equipment Worldwide**  
*For unusual applications, J.R. Clancy can create custom equipment to match your facility's specific needs. Please contact us to discuss your project's requirements.*



© 2016 Wenger Corporation  
USA/11-16/W

