

Fusible Links

Electro Thermal Link

- Used to connect the fire curtain system to fire alarms or other electrical systems.
- Link separates when electricity is applied.
- UL Listed.

Rate of Rise Detector

- Used to release fire curtain when:
 - Temperature raises 15°F (7.1°C) in one minute.
 - Temperature exceeds 135°F (57.2°C).
- Normally open contact.
- UL Listed.

Fusible Link

- Placed in the fire line to release the fire curtain.
- Link separates at a temperature of 165°F (74°C).
- UL Listed.

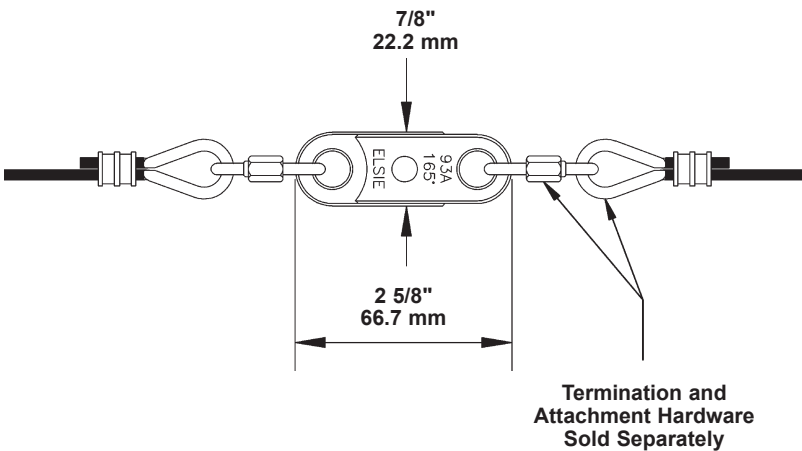


Electro Thermal Link
016-ETL



Rate of Rise Detector
099-281B

Dimensions



Fusible Link
016-7519

Order Information

| Number | Description | RWL | Weight |
|----------|-----------------------|-------------------|--------------------|
| 016-ETL | Electro Thermal Link | 40 lbs. (18.1 kg) | 0.2 lbs. (0.09 kg) |
| 099-281B | Rate of Rise Detector | - | - |
| 016-7519 | Fusible Link | 40 lbs. (18.1 kg) | 0.2 lbs. (0.09 kg) |



Design, Manufacture and Installation of Theatrical Equipment Worldwide

For unusual applications, J.R. Clancy can create custom equipment to match your facility's specific needs. Please contact us to discuss your project's requirements.



© 2016 Wenger Corporation
USA/07-16/W

