

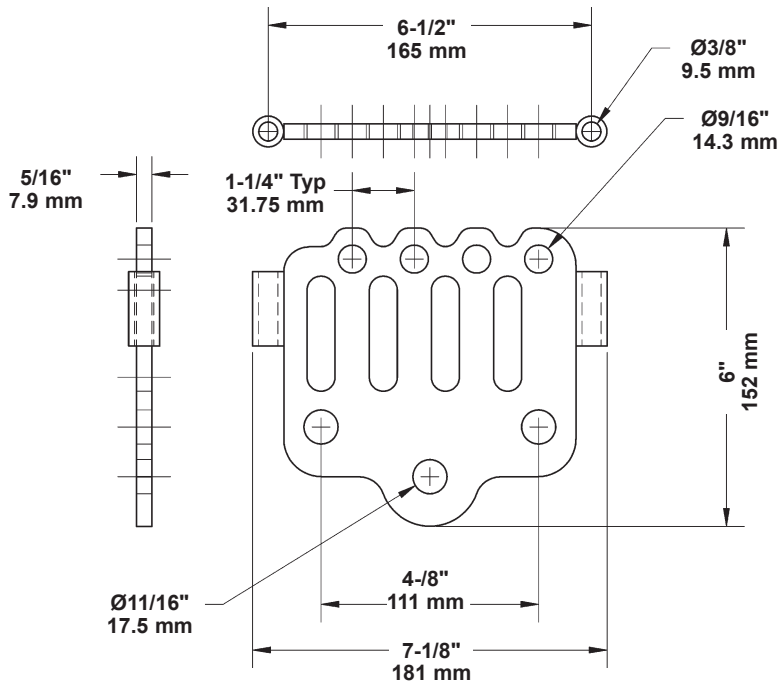
Guided Cable Clew

- Allows one or two drive lines to connect to up to 8 lift lines.
- 5/16" (7.9 mm) thick steel plate with holes for cable and drive lines, plus two guide spools.
- The design permits the use of lines on tight centers such as are found near multi-groove sheaves.



Guided Cable Clew
015-27X8

Dimensions



Order Information

Number	Description	RWL	Weight
015-27X8	8 Line Guided Cable Clew	*	5 lbs. (2.26 kg)
<p>*RWL is 1500 lbs. (680 kg) with a single drive line, or 2500 lbs. (1134 kg) with two drive lines.</p> <p>RWL: RWL is maximum load that can be applied to the guided cable clew which is in "like new" condition and has been properly installed, maintained, and operated.</p>			



Design, Manufacture and Installation of Theatrical Equipment Worldwide

For unusual applications, J.R. Clancy can create custom equipment to match your facility's specific needs. Please contact us to discuss your project's requirements.



© 2016 Wenger Corporation
USA/07-16/W

