

J-Guide/T-Bar Single Purchase Arbors

- Used in J-Guide/T-Bar guided systems to hold counterweight that balances the batten load.
- Arbor tops and bottoms are fabricated 1/4" (6.35 mm) steel weldments with a bolt and spacer for hand line termination.
- Arbor tops are punched to accept 8 cables.
- Two 3/4" (19 mm) steel arbor rods have three nuts at top and bottom.
- Each rod has a retaining collar with a thumbscrew incorporating an easy-to-grip plastic knob.
- Front collar is welded to top spreader plate for additional security.
- 12 gauge (2.65 mm) steel spreader plate every 2' (0.6 m) (minimum 2).
Labels on the back bar show safety information and proper location for spreader plates.
- 3/8" x 3" (9.5 mm x 76.2 mm) steel back bar, with two guide assemblies.
- Standard polypropylene guide shoes allow for on site adjustment for 6" (154 mm) or 8" (203 mm) set centers; other shoe types and centers are available.
- Arbors are provided with easy-to-read, self-adhesive set numbers.

Order Information

Number	Length*	Capacity+		Weight
		4" (102 mm) Weights	6" (152 mm) Weights	
007-15X04	4' (1.2 m)	504 lbs. (229 kg)	782 lbs. (335 kg)	56 lbs. (25.4 kg)
007-15X05	5' (1.5 m)	672 lbs. (305 kg)	1043 lbs. (473 kg)	63 lbs. (28.5 kg)
007-15X06	6' (1.8 m)	841 lbs. (381 kg)	1303 lbs. (591 kg)	71 lbs. (32.2 kg)
007-15X07	7' (2.13 m)	1009 lbs. (458 kg)	1564 lbs. (704 kg)	78 lbs. (35.4 kg)
007-15X08	8' (2.4 m)	1177 lbs. (534 kg)	1825 lbs. (828 kg)	85 lbs. (38.5 kg)
007-15X09	9' (2.75 m)	1345 lbs. (610 kg)	2086 lbs. (946 kg)	92 lbs. (41.7 kg)
007-15X10	10' (3 m)	1514 lbs. (687 kg)	2346 lbs. (1064 kg)	99 lbs. (44.9 kg)
007-15X11	11' (3.35 m)	1682 lbs. (763 kg)	2607 lbs. (1182 kg)	106 lbs. (48 kg)
007-15X12	12' (3.65 m)	1850 lbs. (839 kg)	2868 lbs. (1301 kg)	113 lbs. (51.25 kg)
007-15X13	13' (3.9 m)	2018 lbs. (915 kg)	3129 lbs. (1491 kg)	122 lbs. (55.3 kg)

*Overall length is 8" (203 mm) longer than the nominal length.

+Average Capacity using J.R. Clancy steel counterweights.

RWL: RWL is maximum load that can be applied to the arbor which is in "like new" condition and has been properly installed, maintained, and operated.



**J-Guide/T-Bar Arbor
Single Purchase
007-15X04**

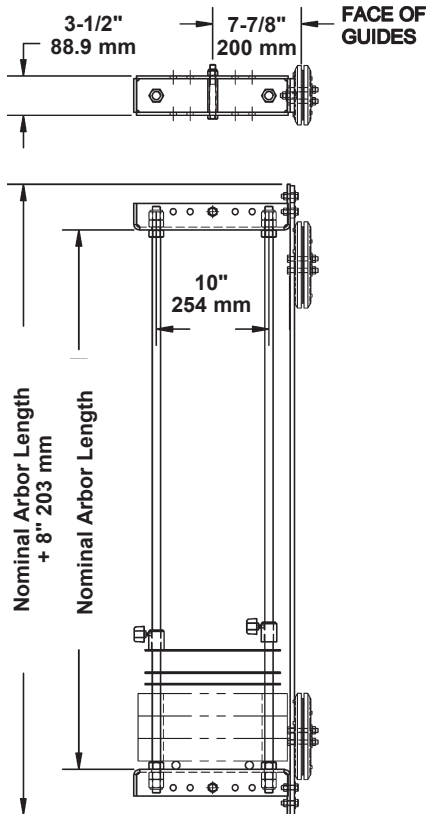
Options

Number	Description	Weight
048-3/4EN	3/4" (19 mm) Eye Nut	2 lbs (0.9 kg)



Eye Nut
048-3/4EN

Dimensions



Design, Manufacture and Installation of Theatrical Equipment Worldwide

For unusual applications, J.R. Clancy can create custom equipment to match your facility's specific needs. Please contact us to discuss your project's requirements.

Wenger

GEARBOSS

JRCLANCY
QUALITY SINCE 1988

© 2016 Wenger Corporation
USA/07-16/W



WENGER CORPORATION

Phone 800.4WENGER (493-6437) Worldwide 1.507.455.4100 | Fax 507.455.4258 Worldwide 1.507.774.8576
Parts & Service 800.887.7145 | Canada Office 800.268.0148 | Web wengercorp.com | 555 Park Drive, PO Box 448 | Owatonna | MN 55060-0448

GEARBOSS

Phone 800.493.6437 | email gearboss@wengercorp.com | Web gearboss.com | 555 Park Drive, PO Box 448 | Owatonna | MN 55060-0448

JR CLANCY

Phone 800-836-1885 Worldwide 1.315.451.3440 | Fax 877.836.1885 Worldwide 1.315.451.1766 | Web jrclancy.com
7041 Interstate Island Road | Syracuse | NY 13209-9713