

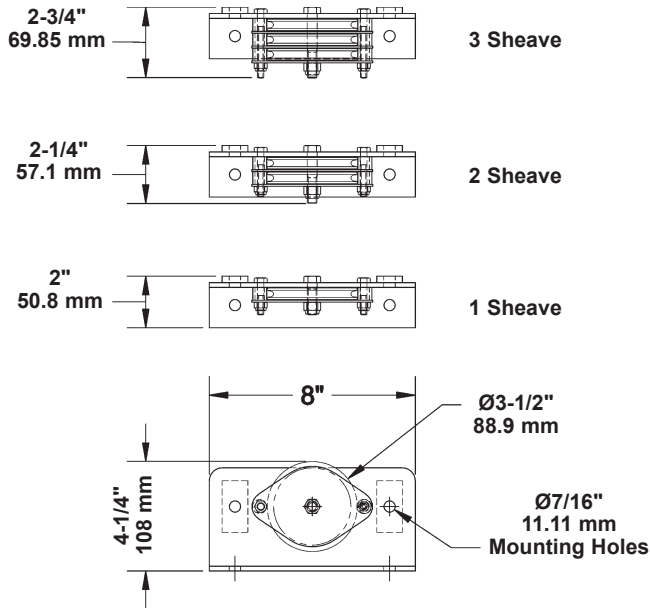
Light Duty Blocks

- For use in light duty applications such as supporting fire lines.
- 3" (76 mm) diameter steel sheaves with ball bearing.
- Formed steel base allows vertical or horizontal mounting.
- Available with 3/8" (9.5 mm) or 1/8" (3.175 mm) groove.



Light Duty Block
013-175

Dimensions



Order Information

Number	Description	RWL	Weight
Grooved for 3/8" (9.5 mm) Rope			
013-175	3" (76 mm, 1 Sheave for 3/8" (9.5 mm) Rope	50 lbs. (27.6 kg)	3.5 lbs. (1.6 kg)
013-275	3" (76 mm, 2 Sheave for 3/8" (9.5 mm) Rope	100 lbs. (45.3 kg)	3.5 lbs. (1.6 kg)
013-375	3" (76 mm, 3 Sheave for 3/8" (9.5 mm) Rope	150 lbs. (68 kg)	3.5 lbs. (1.6 kg)
Grooved for 1/8" (3.175 mm) Rope			
013-176	3" (76 mm, 1 Sheave for 1/8" (3.175 mm) Rope	50 lbs. (27.6 kg)	3.5 lbs. (1.6 kg)
013-276	3" (76 mm, 2 Sheave for 1/8" (3.175 mm) Rope	100 lbs. (45.3 kg)	3.5 lbs. (1.6 kg)
013-376	3" (76 mm, 3 Sheave for 1/8" (3.175 mm) Rope	150 lbs. (68 kg)	3.5 lbs. (1.6 kg)
RWL: RWL is maximum load that can be applied to a block which is in "like new" condition and has been properly installed, maintained, and operated.			



Design, Manufacture and Installation of Theatrical Equipment Worldwide
 For unusual applications, J.R. Clancy can create custom equipment to match your facility's specific needs. Please contact us to discuss your project's requirements.



© 2016 Wenger Corporation
USA/07-16/W

