

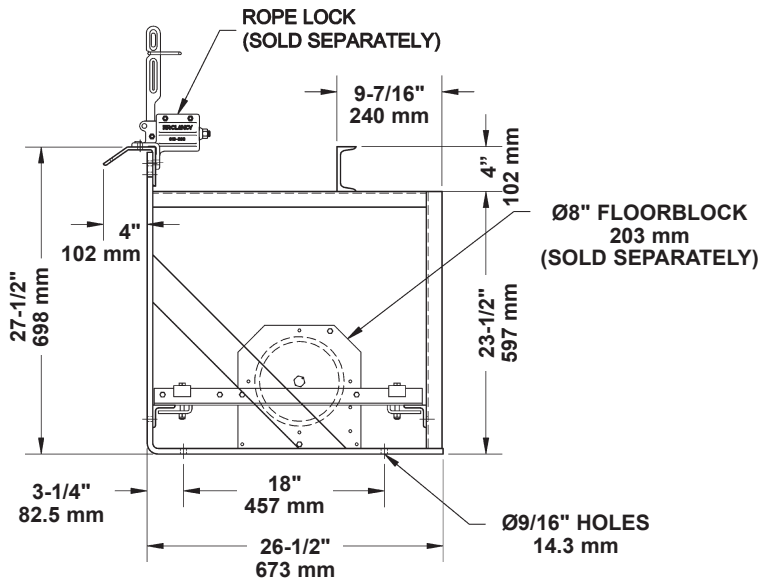
Locking Rails - Wire Guide

- Locking rails support rope locks and the index cards used to identify sets.
- Two angles are provided to support 855M floor blocks.
- Rope locks and index cards are mounted on a 3" x 5" x 1/4" (76 mm x 127 mm x 6.35 mm) formed, pre-punched steel angle.
- Built to withstand a 500 lb. per linear foot (744.5 kg/m) up load (RWL).
- Numbered index cards with a safety warning are included. These can be written on using erasable marker or grease pencil.
- A 4" (102 mm) channel is provided as a lower bumper for counterweight arbors.
- Mounts to the stage floor. Mounting method must be able to withstand the imposed load.
- Mounting stanchions are located on 5' (1.52 m) (maximum) centers and made from 1/2" x 3" (12.7 mm x 76.2 mm) flat bar and 3" (76.2 mm) channel.



Wire Guide Locking Rail
011-518R6

Dimensions



Order Information

Number	Type	Set Centers	Weight
11-518R6	Single Purchase	6" (152 mm)	31 lbs./ft. (14 kg/m)
11-518R8	Single Purchase	8" (203 mm)	31 lbs./ft. (14 kg/m)
11-518D6	Double Purchase	6" (152 mm)	31 lbs./ft. (14 kg/m)
11-518D8	Double Purchase	8" (203 mm)	31 lbs./ft. (14 kg/m)

RWL: RWL is maximum load that can be applied to the locking rail which is in "like new" condition and has been properly installed, maintained, and operated.



Design, Manufacture and Installation of Theatrical Equipment Worldwide
 For unusual applications, J.R. Clancy can create custom equipment to match your facility's specific needs. Please contact us to discuss your project's requirements.



© 2016 Wenger Corporation
USA/07-16/W

