

# Rope Locks

- One piece ASTM A536 ductile iron body.
- 10" (254 mm) handle, powder-coated ductile iron, contoured for comfort and ease of use.
- Two iron cams grip rope with socket head adjustment screw for 5/8"-1" (15.875-25.4 mm) rope. Adjustment screw has a nylon tip for quiet operation.
- Integral ears for optional padlock.
- Vinyl coated steel oval locking ring.
- Rubber pad to quiet handle when it is opened.

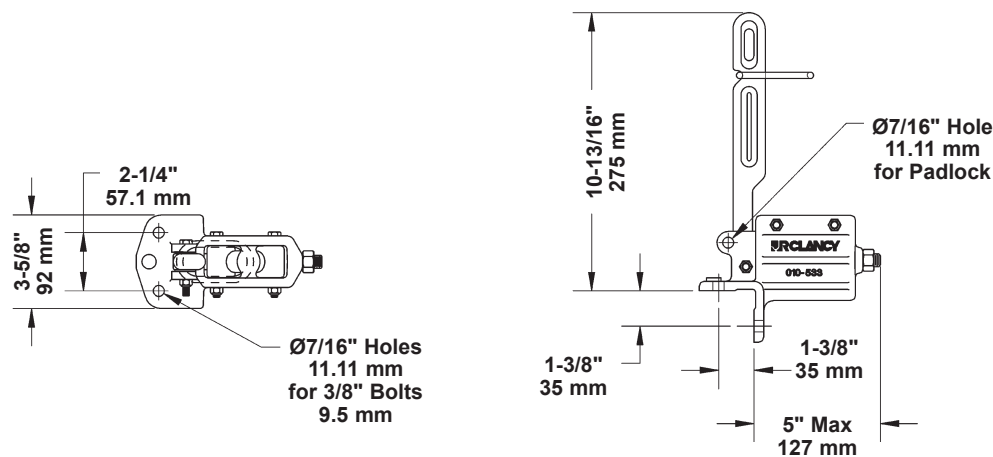
**Please Note:**

Rope locks are not designed to hold an imbalance of more than 50 lbs. (22.6 kg), nor to be used as a speed control.



Rope Lock  
010-533R

## Dimensions



## Order Information

Number	Description	RWL	Weight
010-533R	Rope Lock	50 lbs. (22.6 kg)	8 lbs. (3.6 kg)
010-PLOCK	Padlock for Rope Lock	—	1 lb. (0.45 kg)
010-533C	Replacement Oval Ring, Vinyl Coated	—	0.1 lb. (0.04 kg)

**RWL:** RWL is maximum load that can be applied to the rope lock which is in "like new" condition and has been properly installed, maintained, and operated.



**Design, Manufacture and Installation of Theatrical Equipment Worldwide**

*For unusual applications, J.R. Clancy can create custom equipment to match your facility's specific needs. Please contact us to discuss your project's requirements.*



© 2016 Wenger Corporation  
USA/07-16/W

