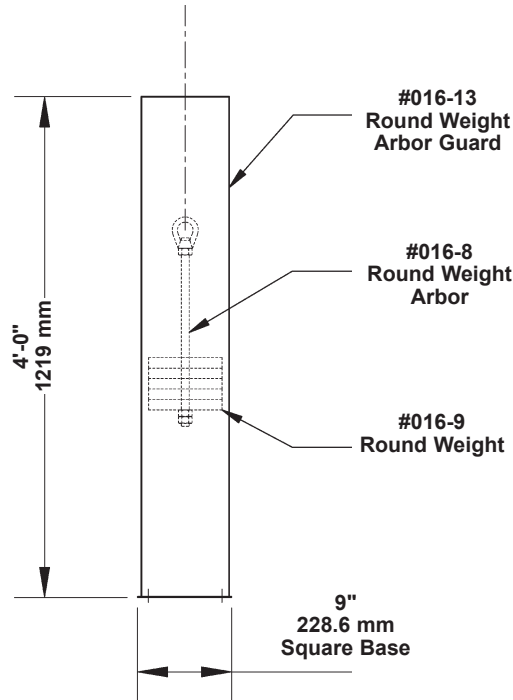


Round Weight Arbor Components

- Round weights are used to tension fire lines, dashpot cables, and overbalance clutch levers.
- Round weight arbors hold 1 to 10 round weights.
- An arbor guard is available.

Dimensions



Order Information

Number	Description	Weight
016-8	Round Weight Arbor	3 lbs. (1.36 kg)
016-9	Round Weight	5 lbs. (2.7 kg)
016-13	Round Weight Arbor Guard	15 lbs. (6.8 kg)



Design, Manufacture and Installation of Theatrical Equipment Worldwide

For unusual applications, J.R. Clancy can create custom equipment to match your facility's specific needs. Please contact us to discuss your project's requirements.



© 2016 Wenger Corporation
USA/07-16/W

