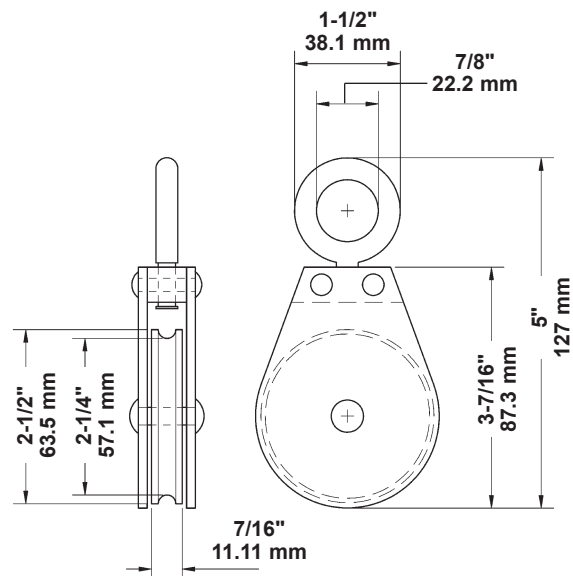


Swivel Eye Pulley

- Used in fire lines.
- 2-1/4" (57.1 mm) sheave grooved for 1/8" (3.175 mm) wire rope.
- Swivel eye with 7/8" (22.2 mm) diameter opening.

Dimensions



Swivel Eye Pulley
099-SWEP

Order Information

Number	Description	RWL	Weight
099-SWEP	Swivel Eye Pulley	250 lbs. (1.3 kg)	1 lbs. (0.45 kg)

RWL is based on an 8:1 safety factor.

RWL: RWL is maximum load that can be applied to the swivel eye pulley which is in "like new" condition and has been properly installed, maintained, and operated.



Design, Manufacture and Installation of Theatrical Equipment Worldwide

For unusual applications, J.R. Clancy can create custom equipment to match your facility's specific needs. Please contact us to discuss your project's requirements.



© 2016 Wenger Corporation
USA/07-16/W



WENGER CORPORATION

Phone 800.4WENGER (493-6437) Worldwide 1.507.455.4100 | Fax 507.455.4258 Worldwide 1.507.774.8576
Parts & Service 800.887.7145 | Canada Office 800.268.0148 | Web wengercorp.com | 555 Park Drive, PO Box 448 | Owatonna | MN 55060-0448

GEARBOSS

Phone 800.493.6437 | email gearboss@wengercorp.com | Web gearboss.com | 555 Park Drive, PO Box 448 | Owatonna | MN 55060-0448

JR CLANCY

Phone 800-836-1885 Worldwide 1.315.451.3440 | Fax 877.836.1885 Worldwide 1.315.451.1766 | Web jrclancy.com
7041 Interstate Island Road | Syracuse | NY 13209-9713