

Tension Floor Blocks

- Used as the return pulley for the hand line in J-Guide or T-Bar manual counterweight sets.
- Minimum 40 lbs. (18.1 kg) weight to properly tension the handline.
- Kick tab permits easy readjustment of the block.
- ASTM Class 30 grey iron sheave.
- Sealed precision 17 mm ball bearings.
- Steel shoes.
- Special grooves and shoe sizes available, consult factory.
- Also known as “Welch” tension blocks, after the J.R. Clancy employee who developed the block in 1925.



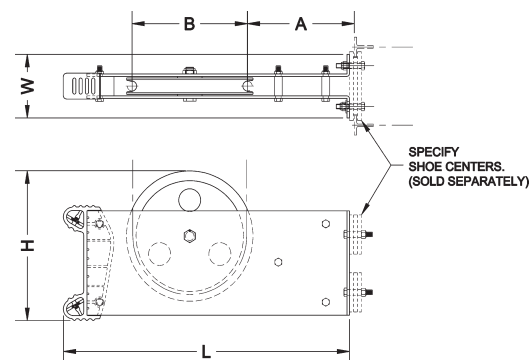
Tension Floor Block
600-11015C100

Dimensions

Nominal Sheave Diameter	Dim. L	Dim. H	Dim. W	Dim. A*	Dim. B
10" (254 mm)	23" (584 mm)	11-7/16" (290.5 mm)	4-7/8"+ (124 mm)	8-1/8" (206 mm)	9-3/4" (248 mm)
12" (305 mm)	23" (584 mm)	12-7/16" (316 mm)	4-7/8" (124 mm)	7-7/16" (189 mm)	11-1/8" (283 mm)

*Nominal distance from face of guides.

+Consult factory for “W” dimensions of 600-11015C75U, 600-11015C100U.



Order Information

Number	Sheave Diameter	Groove	Set Centers	Weight
600-11015C75	10" (254 mm)	3/4" (19 mm)	6" or 8" (152 or 203 mm)	41 lbs. (18.6 kg)
600-11015C75U	10" (254 mm)	3/4" (19 mm)	Less than 6" (152 mm) - specify centers	43 lbs. (19.5 kg)
600-11215C75	12" (305 mm)	3/4" (19 mm)	6" or 8" (152 or 203 mm)	48 lbs. (21.8 kg)
600-11015C100	10" (254 mm)	1" (25.4 mm)	6" or 8" (152 or 203 mm)	41 lbs. (18.6 kg)
600-11015C100U	10" (254 mm)	1" (25.4 mm)	Less than 6" (152 mm) - specify centers	43 lbs. (19.5 kg)
600-11215C100	12" (305 mm)	1" (25.4 mm)	6" or 8" (152 or 203 mm)	48 lbs. (21.8 kg)



Design, Manufacture and Installation of Theatrical Equipment Worldwide
For unusual applications, J.R. Clancy can create custom equipment to match your facility's specific needs. Please contact us to discuss your project's requirements.



© 2016 Wenger Corporation
USA/07-16/W



WENGER CORPORATION

Phone 800.4WENGER (493-6437) Worldwide 1.507.455.4100 | Fax 507.455.4258 Worldwide 1.507.774.8576
Parts & Service 800.887.7145 | Canada Office 800.268.0148 | Web wengercorp.com | 555 Park Drive, PO Box 448 | Owatonna | MN 55060-0448

GEARBOSS

Phone 800.493.6437 | email gearboss@wengercorp.com | Web gearboss.com | 555 Park Drive, PO Box 448 | Owatonna | MN 55060-0448

JR CLANCY

Phone 800-836-1885 Worldwide 1.315.451.3440 | Fax 877.836.1885 Worldwide 1.315.451.1766 | Web jrclancy.com
7041 Interstate Island Road | Syracuse | NY 13209-9713