

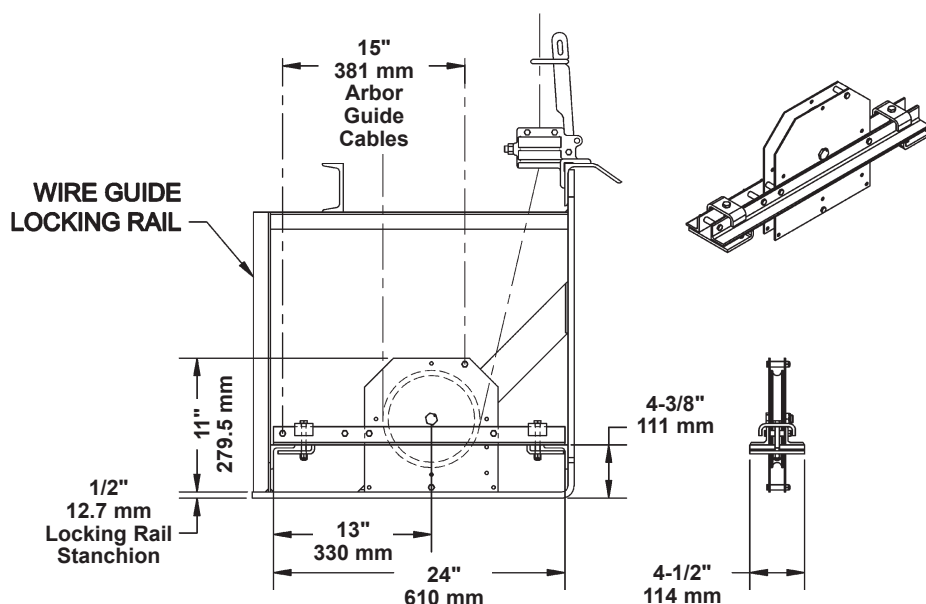
Wire Guide Floor Blocks

- Used with wire guide locking rail. Due to their limited travel, wire guided sets can use this economical fixed floor block.
- 8" (203 mm) diameter nylon or ASTM Class 30 grey iron sheave, grooved for 3/4" (19 mm) rope.
- Sealed precision 17 mm (.67") ball bearings.
- 12 gauge (2.65 mm) side plates fully enclose sheave.
- Additional spacers are provided for arbor guide wire attachment.
- Floor block clip package includes mounting hardware for attachment to 011-518 locking rails.



**Wire Guide Floor Block
600-10855C75**

Dimensions



Order Information

Number	Sheave Diameter	Material	Weight
600-10855C75	8" (203 mm)	Cast Iron	18 lbs. (8.2 kg)
600-10855N75	8" (203 mm)	Nylon	15 lbs. (6.8 kg)
070-FBCP	-	Floor Block Clip Package	3.5 lbs. (1.6 kg)



Design, Manufacture and Installation of Theatrical Equipment Worldwide

For unusual applications, J.R. Clancy can create custom equipment to match your facility's specific needs. Please contact us to discuss your project's requirements.



© 2016 Wenger Corporation
USA/07-16/W



WENGER CORPORATION

Phone 800.4WENGER (493-6437) Worldwide 1.507.455.4100 | Fax 507.455.4258 Worldwide 1.507.774.8576
Parts & Service 800.887.7145 | Canada Office 800.268.0148 | Web wengercorp.com | 555 Park Drive, PO Box 448 | Owatonna | MN 55060-0448

GEARBOSS

Phone 800.493.6437 | email gearboss@wengercorp.com | Web gearboss.com | 555 Park Drive, PO Box 448 | Owatonna | MN 55060-0448

JR CLANCY

Phone 800-836-1885 Worldwide 1.315.451.3440 | Fax 877.836.1885 Worldwide 1.315.451.1766 | Web jrclancy.com
7041 Interstate Island Road | Syracuse | NY 13209-9713