

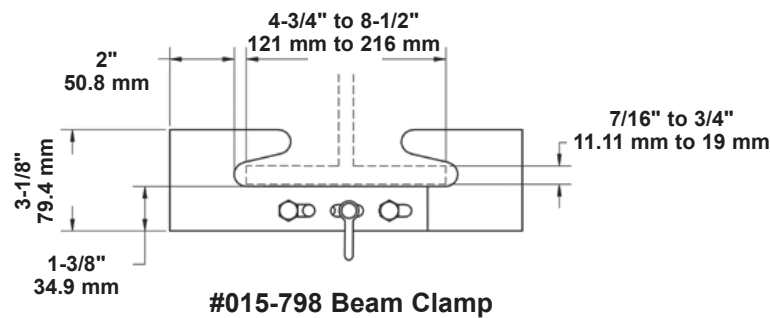
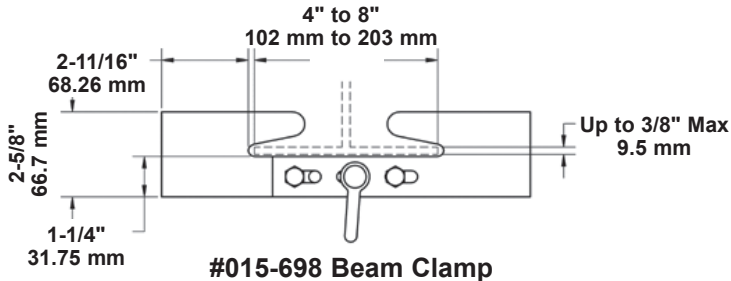
Beam Clamps

- Used for attaching chains or lines to beams for dead hanging or guide wires.
- Includes two 3/8" x 1" (9.5 mm x 25.4 mm) Grade 5 hex bolts with lock nuts, and a 1/4" (6.35 mm) round pin anchor shackle.



Beam Clamp
015-798

Dimensions



Order Information

Number	Description	RWL	Weight
015-698	3/8" (9.5 mm) Throat, will grip flanges from 4" to 8" (102 mm to 203 mm)	350 lbs. (159 kg)	2 lbs. (0.9 kg)
015-798	3/4" (19 mm) Throat, will grip flanges from 4-3/4" to 8-1/2" (121 mm to 216 mm)	350 lbs. (159 kg)	2 lbs. (0.9 kg)

RWL: RWL is maximum load that can be applied to the beam clamp which is in "like new" condition and has been properly installed, maintained, and operated.



Design, Manufacture and Installation of Theatrical Equipment Worldwide

For unusual applications, J.R. Clancy can create custom equipment to match your facility's specific needs. Please contact us to discuss your project's requirements.



© 2016 Wenger Corporation
USA/07-16/W

