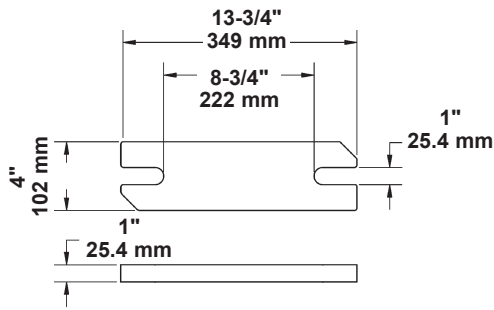


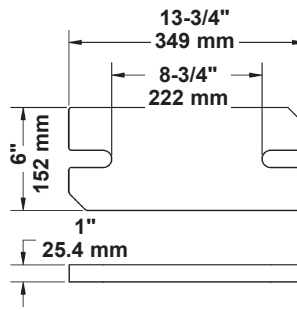
# Counterweights

- Used in arbors to counterbalance the weight of the batten and scenery or lights.
- Weights are flame-cut steel.
- Opposite corners have 45° notches to provide finger grips.
- 13-3/4" (349.25 mm) length, with slotted ends for 3/4" (19 mm) diameter arbor rods spaced on 10" (254 mm) centers.
- Sold in 1000 lbs. (454 kg) pallets.
- Actual weight can vary by ± 20% from the nominal weight.

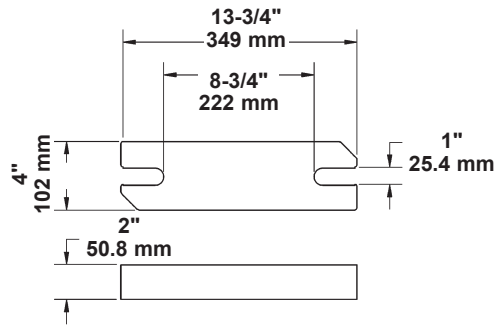
## Dimensions



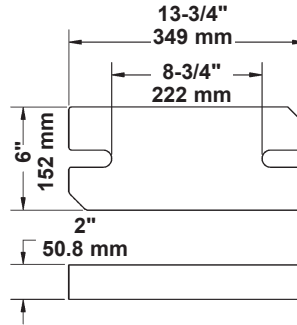
#009-4X1



#009-6X1



#009-4X2



#009-6X2



Counterweight  
009-4X1

## Order Information

Number	Width	Nominal Thickness	Nominal Weight
009-4X1	4" (102 mm)	1" (25.4 mm)	14 lbs. (6.3 kg)
009-4X2	4" (102 mm)	2" (50.8 mm)	28 lbs. (12.7 kg)
009-6X1	6" (152 mm)	1" (25.4 mm)	22 lbs. (10 kg)
009-6X2	6" (152 mm)	2" (50.8 mm)	43 lbs. (19.5 kg)



### Design, Manufacture and Installation of Theatrical Equipment Worldwide

For unusual applications, J.R. Clancy can create custom equipment to match your facility's specific needs. Please contact us to discuss your project's requirements.



© 2016 Wenger Corporation  
USA/06-17/W



### WENGER CORPORATION

Phone 800.4WENGER (493-6437) Worldwide 1.507.455.4100 | Fax 507.455.4258 Worldwide 1.507.774.8576  
Parts & Service 800.887.7145 | Canada Office 800.268.0148 | Web wengercorp.com | 555 Park Drive, PO Box 448 | Owatonna | MN 55060-0448

### GEARBOSS

Phone 800.493.6437 | email gearboss@wengercorp.com | Web gearboss.com | 555 Park Drive, PO Box 448 | Owatonna | MN 55060-0448

### JR CLANCY

Phone 800-836-1885 Worldwide 1.315.451.3440 | Fax 877.836.1885 Worldwide 1.315.451.1766 | Web jrclancy.com  
7041 Interstate Island Road | Syracuse | NY 13209-9713