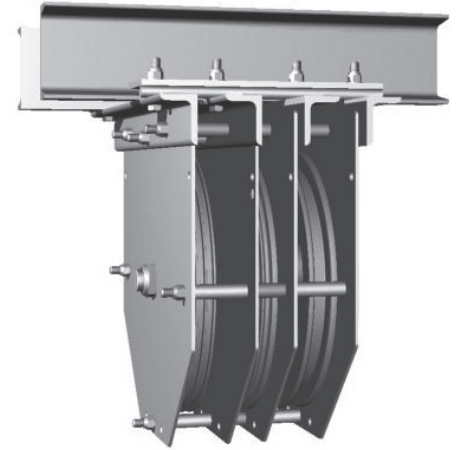


Custom Blocks

- We can design custom blocks to meet your specific requirements.
- Nylon, steel, or ASTM Class 30 grey iron sheaves are available.
- Blocks may contain one or more sheaves. Sheaves can be mounted on a single axle or mounted in a tandem configuration for use in upgrading historic theaters and for use with drum hoists that must be mounted close to the head blocks.
- Base angles or other mounting methods are available to meet your requirements.

Ordering Information

Please provide specifications and a drawing or sketch showing your requirements.



Custom Block



Design, Manufacture and Installation of Theatrical Equipment Worldwide

For unusual applications, J.R. Clancy can create custom equipment to match your facility's specific needs. Please contact us to discuss your project's requirements.



© 2016 Wenger Corporation
USA/07-16/W

