

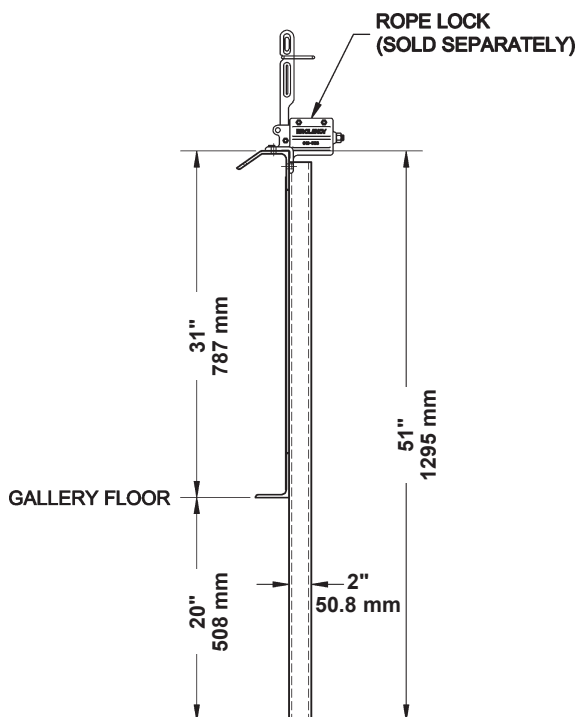
# Locking Rails - Gallery Mounted

- Locking rails support rope locks and the index cards used to identify sets.
- Rope locks and index cards are mounted on a 3" x 5" x 1/4" (76 mm x 127 mm x 6.35 mm) formed, pre-punched steel angle.
- Built to withstand a 500 lb. per linear foot (744.5 kg/m) up load (RWL).
- Numbered index cards with a safety warning are included. These can be written on using erasable marker or grease pencil.
- Mounts to the edge of a counterweight pit or gallery.
- Mounting method must be able to withstand the imposed load.
- Mounting stanchions are located on 5' (1.52 m) (maximum) centers and made from 2" x 2" x 1/4" (50.8 mm x 50.8 mm x 6.35 mm) steel tube.
- Wire mesh keeps objects from being knocked off edge of gallery.



Gallery Mounted Locking Rail  
011-558R6

## Dimensions



## Order Information

Number	Set Centers	Weight
011-558R6	6" (152 mm)	20 lbs. (9 kg)
011-558R8	8" (203 mm)	20 lbs. (9 kg)

**RWL:** RWL is maximum load that can be applied to the locking rail which is in "like new" condition and has been properly installed, maintained, and operated.



**Design, Manufacture and Installation of Theatrical Equipment Worldwide**  
 For unusual applications, J.R. Clancy can create custom equipment to match your facility's specific needs. Please contact us to discuss your project's requirements.



© 2016 Wenger Corporation  
USA/07-16/W

