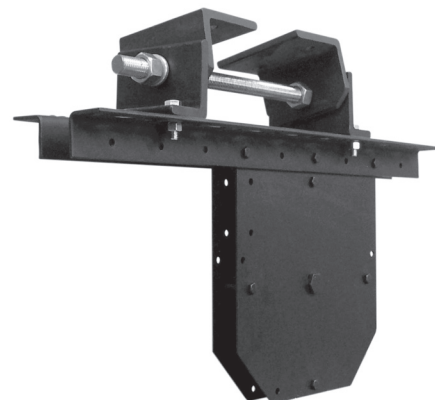


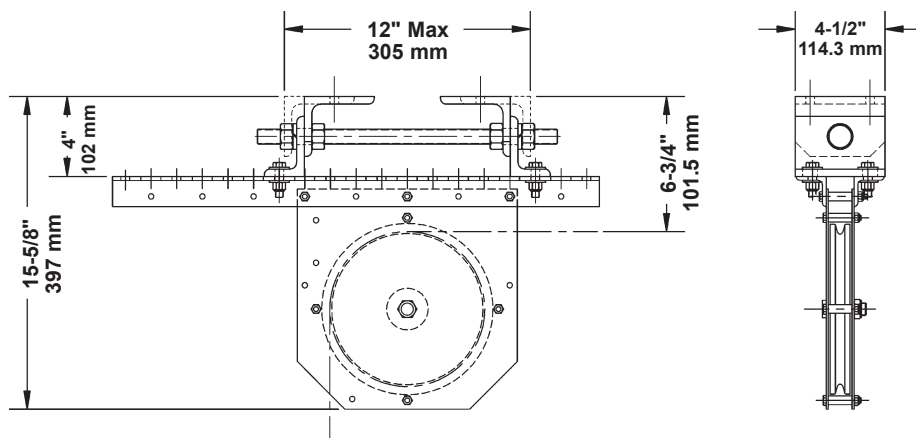
Loft Block Pivot Brackets

- Pivot brackets are required for mounting on loft beams with more than 1-1/2° of slope.
- Use for beams 4" – 8-1/2" (102 – 216 mm) wide for single line 55 series blocks.
- Mounting clips are included, please specify beam flange thickness.
- Pivot brackets must be welded to loft beams after final alignment – consult the factory for specific information.



Underhung Loft Block with Pivot Bracket
070-PIVOT

Dimensions



Order Information

Number	Description	RWL	Weight
070-PIVOT	Pivot Bracket	-	12 lbs. (5.4 kg)



Design, Manufacture and Installation of Theatrical Equipment Worldwide

For unusual applications, J.R. Clancy can create custom equipment to match your facility's specific needs. Please contact us to discuss your project's requirements.



© 2016 Wenger Corporation
USA/07-16/W



WENGER CORPORATION

Phone 800.4WENGER (493-6437) Worldwide 1.507.455.4100 | Fax 507.455.4258 Worldwide 1.507.774.8576
Parts & Service 800.887.7145 | Canada Office 800.268.0148 | Web wengercorp.com | 555 Park Drive, PO Box 448 | Owatonna | MN 55060-0448

GEARBOSS

Phone 800.493.6437 | email gearboss@wengercorp.com | Web gearboss.com | 555 Park Drive, PO Box 448 | Owatonna | MN 55060-0448

JR CLANCY

Phone 800-836-1885 Worldwide 1.315.451.3440 | Fax 877.836.1885 Worldwide 1.315.451.1766 | Web jrclancy.com
7041 Interstate Island Road | Syracuse | NY 13209-9713