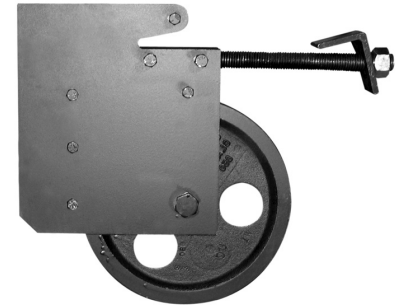


Loft Blocks, Underhung - 19 Series

- Underhung style, supported by a single structural beam.
- Nylon or ASTM Class 30 grey iron sheaves.
- Sealed precision ball bearings (Single line, 8" (203 mm) nominal sheave only) or tapered roller bearings.
- 10 gauge (3.41 mm) side plates.
- 3/4" (19 mm) drawbolt and steel clip allow a 5" (127 mm) grip adjustment to accommodate a range of beam sizes.
- A minimum of three spacers between the side plates; to prevent cables from escaping the sheave grooves.



Loft Block

Order Information

Sheave Diameter	Lines	Bearings	Cast Iron Product Code	RWL	Weight	Nylon Product Code	RWL	Weight
Cable Blocks (1/4" [6.35 mm] cable)								
8-1/2" (216 mm)	1	17 mm BB	200-10819C25R	500 lbs. (227 kg)	14 lbs. (6.35 kg)	200-10819N25R	500 lbs. (227 kg)	9 lbs. (4 kg)
8-1/2" (216 mm)	2	17 mm BB	200-20819C25R	500 lbs. (227 kg)	14 lbs. (6.35 kg)	200-20819N25R	500 lbs. (227 kg)	10 lbs. (4.5 kg)
8-1/2" (216 mm)	1	17 mm TRB	200-10819C25RT	500 lbs. (227 kg)	14 lbs. (6.35 kg)	200-10819N25RT	500 lbs. (227 kg)	9 lbs. (4 kg)
8-1/2" (216 mm)	2	17 mm TRB	200-20819C25RT	500 lbs. (227 kg)	14 lbs. (6.35 kg)	200-20819N25RT	500 lbs. (227 kg)	10 lbs. (4.5 kg)
8-1/2" (216 mm)	4	1" TRB (25.4 mm)	200-40819C25R	1300 lbs. (590 kg)	34 lbs. (15.4 kg)	200-40819N25R	1300 lbs. (590 kg)	25 lbs. (11.3 kg)
8-1/2" (216 mm)	8	1" TRB (25.4 mm)	200-80819C25R	1300 lbs. (590 kg)	44 lbs. (20 kg)	200-80819N25R	1300 lbs. (590 kg)	28 lbs. (12.7 kg)
12" (305 mm)	1	1" TRB (25.4 mm)	200-11219C25R	700 lbs. (317 kg)	47 lbs. (21.3 kg)	-	-	-
Cable Blocks (3/16" [4.76 mm] cable)								
8-1/2" (216 mm)	1	17 mm TRB	-	-	-	200-10819N19R	500 lbs. (227 kg)	9 lbs. (4 kg)
8-1/2" (216 mm)	1	17 mm TRB	-	-	-	200-10819N19RT	500 lbs. (227 kg)	9 lbs. (4 kg)
8-1/2" (216 mm)	8	1" TRB (25.4 mm)	-	-	-	200-80819N19R	1300 lbs. (590 kg)	28 lbs. (12.7 kg)
Cable Blocks (3/4" [19 mm] cable)								
8" (203 mm)	1	17 mm BB	200-10819C75R	500 lbs. (227 kg)	14 lbs. (6.35 kg)	200-10819N75R	700 lbs. (317 kg)	9 lbs. (4 kg)
8" (203 mm)	1	17 mm TRB	200-10819C75RT	500 lbs. (227 kg)	14 lbs. (6.35 kg)	200-10819N75RT	700 lbs. (317 kg)	9 lbs. (4 kg)

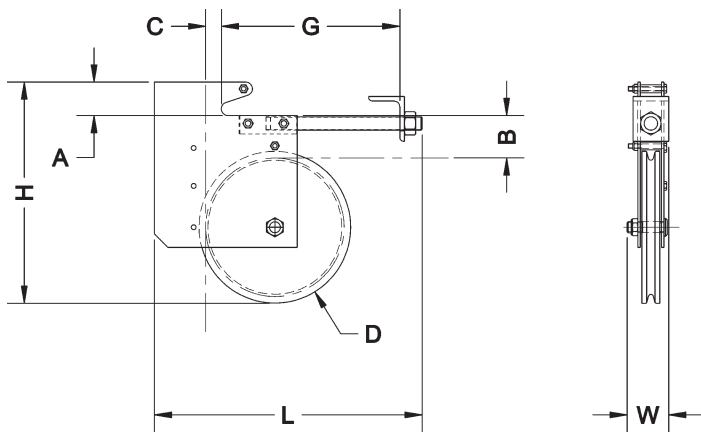
*Available for 1/4" (6.35 mm) or 3/8" (9.5 mm) cable, specify.

19 Series blocks grip the bottom flanges of beams.
 Blocks have a 3/8" (9.5 mm) throat with a grip range of 4" - 9" (102 - 229 mm).
 Change the suffix from "R" to "U" for a 3/4" (19 mm) throat with a 4 1/8" - 10" (104.8 - 254 mm) grip range.

To add Idlers to 8" (203 mm) Underhung Blocks — Change last letter to "I3" or "I6" to indicate 3 or 6 idler grooves.

RWL: RWL is maximum load that can be applied to a block which is in "like new" condition and has been properly installed, maintained, and operated.

Dimensions



Nominal Sheave Diameter	Throat Depth	Dim. L	Dim. H	Dim. W	Dim. A	Dim. B	Dim. C	Dim. D Sheave Diameter	Dim. G Grip Range
8" (203 mm)	3/8" (9.5 mm)	15" (381 mm)	12-1/4" (311 mm)	2-5/16" (59 mm)	1-3/4" (44.5 mm)	2-5/16" (58.75 mm)	2" (50.8 mm)	8-9/16" (217 mm)	4" - 9" (102 - 229 mm)
8" (203 mm)	3/4" (19 mm)	12-3/8" (314 mm)	12-3/8" (314 mm)	2-5/16" (59 mm)	1-7/8" (47.6 mm)	2-5/16" (58.75 mm)	1" (25.4 mm)	8-9/16" (217 mm)	4-1/8" - 10" (105 - 254 mm)
12" (305 mm)	3/8" (9.5 mm)	19" (483 mm)	17" (432 mm)	3-1/4" (83 mm)	1-3/4" (44.5 mm)	2-9/16" (65 mm)	5-7/16" (138 mm)	12" (305 mm)	4-1/2" - 10" (114 - 254 mm)
12" (305 mm)	3/8" (9.5 mm)	19" (483 mm)	17" (432 mm)	3-1/4" (83 mm)	1-7/8" (47.6 mm)	2-7/16" (62 mm)	4-3/8" (106.4 mm)	12" (305 mm)	5-1/2" - 11" (140 - 279 mm)



Design, Manufacture and Installation of Theatrical Equipment Worldwide

For unusual applications, J.R. Clancy can create custom equipment to match your facility's specific needs. Please contact us to discuss your project's requirements.

Wenger

GEARBOSS

JRCLANCY
QUALITY SINCE 1988

© 2016 Wenger Corporation
USA/11-16/W



WENGER CORPORATION

Phone 800.4WENGER (493-6437) Worldwide 1.507.455.4100 | Fax 507.455.4258 Worldwide 1.507.774.8576
Parts & Service 800.887.7145 | Canada Office 800.268.0148 | Web wengercorp.com | 555 Park Drive, PO Box 448 | Owatonna | MN 55060-0448

GEARBOSS

Phone 800.493.6437 | email gearboss@wengercorp.com | Web gearboss.com | 555 Park Drive, PO Box 448 | Owatonna | MN 55060-0448

JR CLANCY

Phone 800-836-1885 Worldwide 1.315.451.3440 | Fax 877.836.1885 Worldwide 1.315.451.1766 | Web jrclancy.com
7041 Interstate Island Road | Syracuse | NY 13209-9713