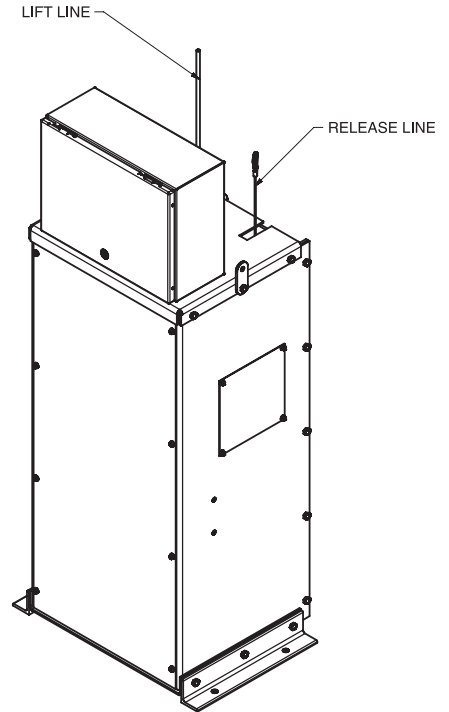
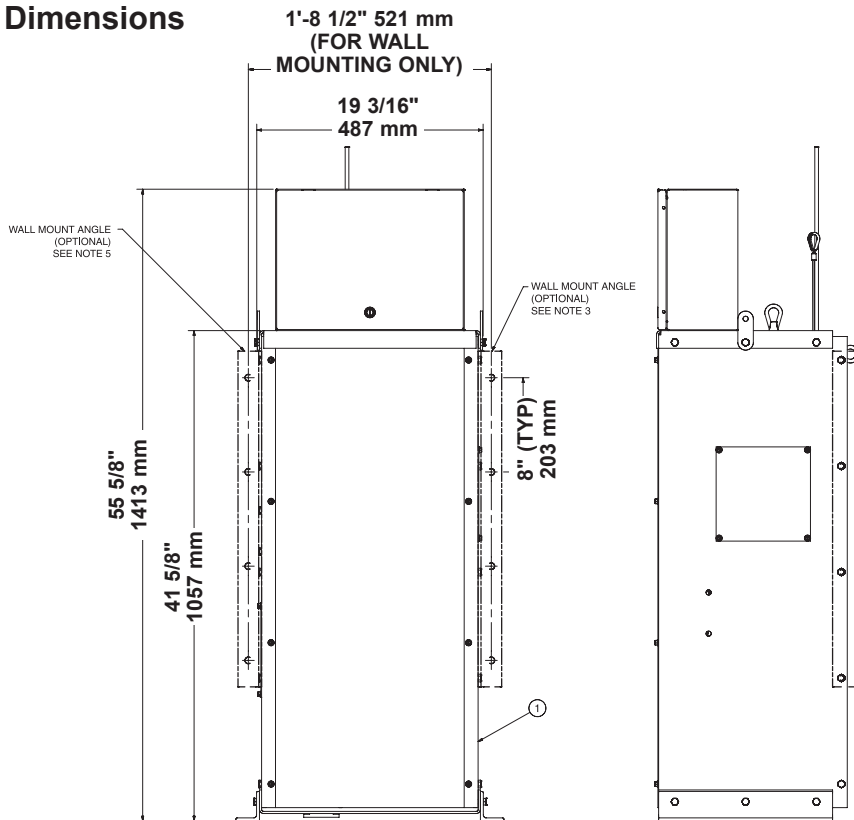


Motorized Fire Curtain Hoist

- Motorized fire curtain hoist with integral speed regulation used to raise and lower fire curtains - up to 1,100 lbs. (499 kg).
Note: Hoist is designed for constant load between 500 lbs. (227 kg) and 1,100 lbs. (499 kg).
 Brail curtains may require additional pipe weight to operate properly.
- Push button control stations for easy operation.
- Emergency lowering speed controlled by hydraulic speed regulator.
- 75' (22.9 m) of 5/16" (7.9 mm) of drive line included.
- Meets requirements of ANSI E1.22 – 2009 "Entertainment Technology Fire Safety Curtain Systems" or NFPA 80 "Standard for Fire Doors and Other Opening Protectives – 2007".
- Control Station included.
- Available for operation on 208, 230, or 460 VAC 3 phase power.
 Please confirm voltage at time of ordering.

Dimensions



Motorized Fire Curtain Hoist
016-501P-2-F

Order Information

Number	Description	Capacity	Weight
016-501P-2-F	Motorized Fire Curtain Hoist 208V, Floor Mount	1100 lbs.(499 kg)	550 lbs.(249 kg)
016-501P-2-W	Motorized Fire Curtain Hoist 208V, Wall Mount	1100 lbs.(499 kg)	550 lbs.(249 kg)
016-501P-3-F	Motorized Fire Curtain Hoist 380-415V, Floor Mount	1100 lbs.(499 kg)	550 lbs.(249 kg)
016-501P-3-W	Motorized Fire Curtain Hoist 380-415V, Wall Mount	1100 lbs.(499 kg)	550 lbs.(249 kg)
016-501P-4-F	Motorized Fire Curtain Hoist 480V, Floor Mount	1100 lbs.(499 kg)	550 lbs.(249 kg)
016-501P-4-W	Motorized Fire Curtain Hoist 480V, Wall Mount	1100 lbs.(499 kg)	550 lbs.(249 kg)



Design, Manufacture and Installation of Theatrical Equipment Worldwide
 For unusual applications, J.R. Clancy can create custom equipment to match your facility's specific needs. Please contact us to discuss your project's requirements.



© 2016 Wenger Corporation
USA/07-16/W

