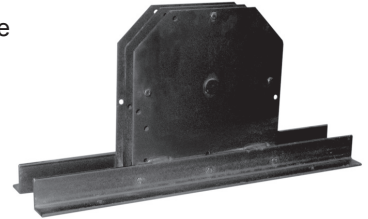
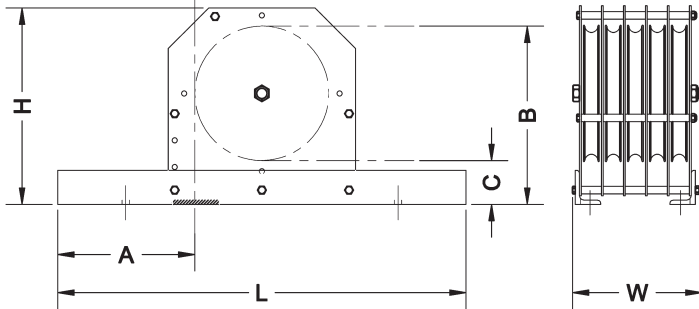


# Multi-Sheave Blocks

- Blocks may be mounted upright or underhung.
- Blocks with three or more sheaves are constructed with the base angle legs turned in to allow close mounting centers. Base angles are notched to clear ropes and cables.
- Nylon or ASTM Class 30 grey iron sheaves.
- 17 mm (.67") sealed precision ball bearings.
- 12 gauge (2.65 mm) side plates located outside and between sheaves.



**Upright Multi-Sheave Block  
400-20855N75**



## Dimensions

Nominal Sheave Diameter	Lines	Dim. L	Dim. H	Dim. W	Dim. A	Dim. B	Dim. C	Dim. D (Sheave Diameter)
8" (203 mm)	2+	24" (610 mm)	11-1/2" (292 mm)	5-11/16" (144.5 mm)	8-1/16" (383 mm)	10-7/16" (265 mm)	2-9/16" (65 mm)	8" (203 mm)
8" (203 mm)	3	24" (610 mm)	11-1/2" (292 mm)	5" (127 mm)	8-1/16" (383 mm)	10-7/16" (265 mm)	2-9/16" (65 mm)	8" (203 mm)
8" (203 mm)	4	24" (610 mm)	11-1/2" (292 mm)	6-1/2" (165 mm)	8-1/16" (383 mm)	10-7/16" (265 mm)	2-9/16" (65 mm)	8" (203 mm)
8" (203 mm)	5	24" (610 mm)	11-1/2" (292 mm)	7-5/8" (193.7 mm)	8-1/16" (383 mm)	10-7/16" (265 mm)	2-9/16" (65 mm)	8" (203 mm)

\*Dimension to 3/4" (19 mm) dia rope C/L when block is used in underhung application.  
+2 Line block has base angles turned outward.



**Design, Manufacture and Installation of Theatrical Equipment Worldwide**  
For unusual applications, J.R. Clancy can create custom equipment to match your facility's specific needs. Please contact us to discuss your project's requirements.

## Order Information

Sheave Diameter	Lines	Bearings	Cast Iron Product Code	RWL	Weight	Nylon Product Code	RWL	Weight
8-5/8" (219 mm)	2	17 mm BB	400-20855C75	900 lbs. (408 kg)	27 lbs. (12.25 kg)	400-20855N75	900 lbs. (408 kg)	21 lbs. (9.5 kg)
8-5/8" (219 mm)	3	17 mm BB	400-30855C75	900 lbs. (408 kg)	35 lbs. (15.9 kg)	400-30855N75	900 lbs. (408 kg)	26 lbs. (11.8 kg)
8-5/8" (219 mm)	4	17 mm BB	400-40855C75	900 lbs. (408 kg)	42 lbs. (19 kg)	400-40855N75	900 lbs. (408 kg)	31 lbs. (14 kg)
8-5/8" (219 mm)	5	17 mm BB	400-50855C75	900 lbs. (408 kg)	50 lbs. (22.7 kg)	400-50855N75	900 lbs. (408 kg)	36 lbs. (16.3 kg)

Change the 3rd character from "R" (3/4" (19 mm) rope) to "C" for 1/4" (6.35 mm) cable.

**RWL:** RWL is maximum load that can be applied to a block which is in "like new" condition and has been properly installed, maintained, and operated.



© 2016 Wenger Corporation  
USA/07-16/W



### WENGER CORPORATION

Phone 800.4WENGER (493-6437) Worldwide 1.507.455.4100 | Fax 507.455.4258 Worldwide 1.507.774.8576  
Parts & Service 800.887.7145 | Canada Office 800.268.0148 | Web wengercorp.com | 555 Park Drive, PO Box 448 | Owatonna | MN 55060-0448

### GEARBOSS

Phone 800.493.6437 | email gearboss@wengercorp.com | Web gearboss.com | 555 Park Drive, PO Box 448 | Owatonna | MN 55060-0448

### JR CLANCY

Phone 800-836-1885 Worldwide 1.315.451.3440 | Fax 877.836.1885 Worldwide 1.315.451.1766 | Web jrclancy.com  
7041 Interstate Island Road | Syracuse | NY 13209-9713