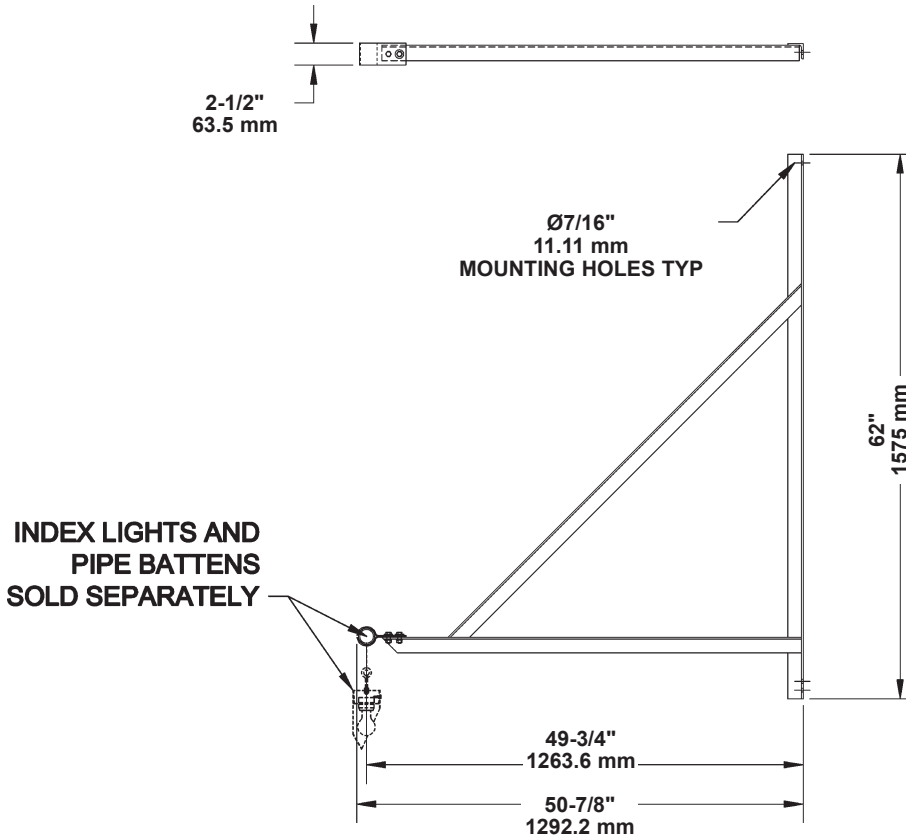


Outrigger Bracket

- Used to support outrigger battens in front of the Guide Wall.
- Use 015-67R Pipe Batten with these brackets to form the outrigger.
- Outrigger battens are used to support index lights or act as a scenery bumper.
- Use on 10' (254 m) maximum centers.
- Optional 6" x 6" (152 mm x 152 mm) wall plate with 12" (304 mm) sleeve available to attach batten end to a wall.
- Brackets typically attach to J-Guide, A-Guide, or T-Bar Guide wall battens.

Dimensions



Order Information

Number	Description	Weight
015-96	Outrigger Bracket w/1-1/2" (38.1 mm) half clamp	30 lbs. (13.6 kg)
015-96WS	Wall plate for Sch 40, 1-1/2" (38.1 mm) batten	4 lbs. (1.8 kg)
015-96WSH	Wall plate for Sch 80, 1-1/2" (38.1 mm) batten	6 lbs. (2.7 kg)



Design, Manufacture and Installation of Theatrical Equipment Worldwide

For unusual applications, J.R. Clancy can create custom equipment to match your facility's specific needs. Please contact us to discuss your project's requirements.



© 2016 Wenger Corporation
USA/07-16/W

