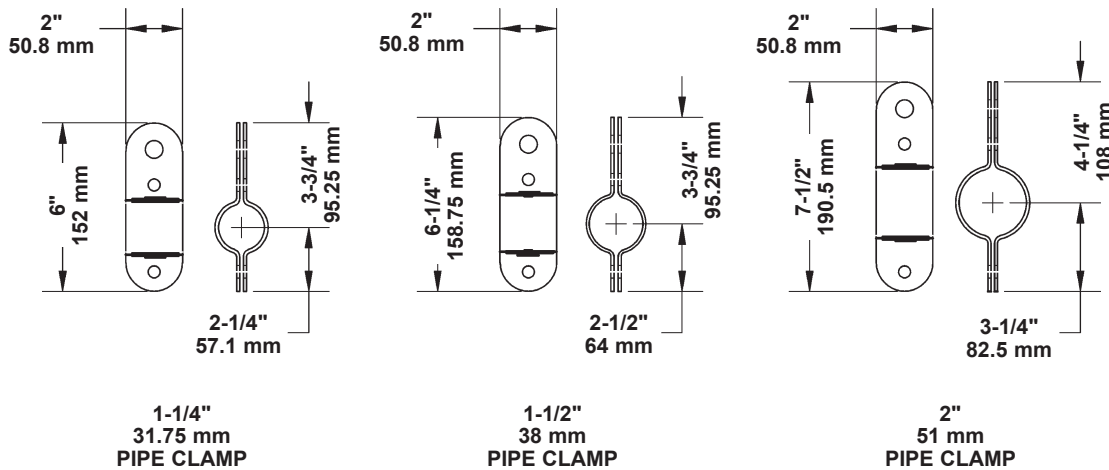


# Pipe Clamps

- Steel clamps with black powder-coat finish.
- Full clamps have rounded corners.
- Supplied with 3/8" x 1" (9.5 mm x 25.4 mm) hex bolts with lock nuts, and a 5/8" (16 mm) hole for attachment of cable, chain, or other fittings.
- Half clamps are 3/16" (4.76 mm) steel, full clamps are 12 gauge (2.65 mm) steel.

## Dimensions



Half Pipe Clamp  
026-21X1.5



Full Pipe Clamp  
026-22X1.5

## Order Information

Number	Description	RWL	Weight
<b>Half Clamps</b>			
026-21X1.5	For 1-1/2" (38 mm) pipe	200 lbs. (90.7 kg)	1.5 lbs. (0.68 kg)
026-21X2.0	For 2" (51 mm) pipe	200 lbs. (90.7 kg)	1.5 lbs. (0.68 kg)
<b>Full Clamps</b>			
026-22X1.2	For 1-1/4" (31.75 mm) pipe	750 lbs. (340 kg)	1 lb. (0.45 kg)
026-22X1.5	For 1-1/2" (38 mm) pipe	750 lbs. (340 kg)	1 lb. (0.45 kg)
026-22X2.0	For 2" (51 mm) pipe	750 lbs. (340 kg)	1 lb. (0.45 kg)
026-22X2.5	For 2-1/2" (64 mm) pipe	750 lbs. (340 kg)	1.5 lbs. (0.68 kg)
<b>RWL:</b> RWL is maximum load that can be applied to the pipe clamp which is in "like new" condition and has been properly installed, maintained, and operated.			



**Design, Manufacture and Installation of Theatrical Equipment Worldwide**

*For unusual applications, J.R. Clancy can create custom equipment to match your facility's specific needs. Please contact us to discuss your project's requirements.*



© 2016 Wenger Corporation  
USA/11-16/W

