

# PowerLine™ Versatile Line Shaft Hoist

## General Information

The PowerLine™ is a new generation of line shaft hoist, re-engineered to reduce size, weight, and cost. PowerLine hoists offer a wide range of speeds and capacities, making them versatile performers. These hoists virtually eliminate side loading on the building structure caused by the rigging and can be excellent choices for retrofits in older buildings.

- Speed: Up to 240 fpm (1.2 m/s)
- Travel: 60 ft. (18.3 m)
- Gross Cap.: Up to 2500 lbs. (1,135 kg)

## Applications

PowerLine's compact size makes it ideal for smaller spaces and renovations. Among it's many uses are:

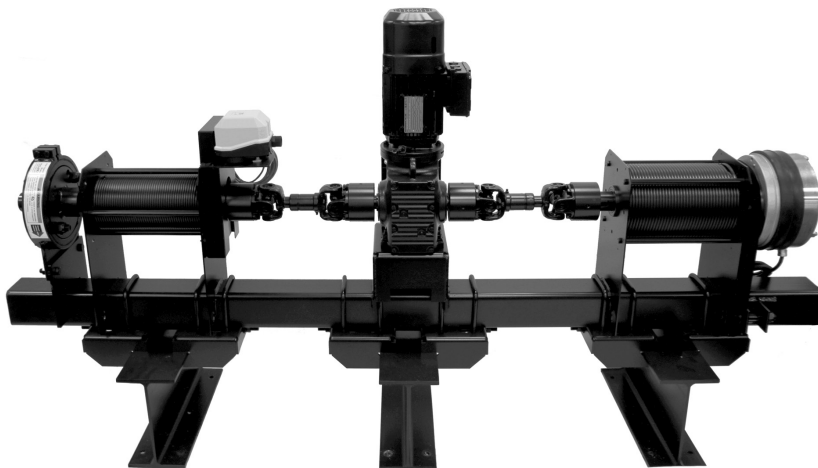
- Electric sets
- Scenery and curtains
- Front-of-house lighting sets

## Features

- PowerLine is customizable to your unique hoisting needs.
- Fixed or variable speed options to meet your performance needs.
- Compact unit doesn't require wall or wing space and can be mounted upright or underhung on 10" (25.4 cm) spacing.
- Simple construction places only vertical loads on the supporting structure without lateral loads.
- Easy to install backbone can be continuous/discontinuous to meet your site conditions.
- Universal joints in the drive shaft promote long life and reliability by allowing various building steel configurations.
- Compact drum fits over standard 10" (25.4 cm) grid well.
- Helical/worm or helical/bevel gear boxes can be oriented four ways for simple installation in any space.
- Flexible installation — standard hoists can be mounted from beams with flanges from 4 - 11" (10.2 - 27.9 cm) wide and from 1/4 - 1" (0.63 - 2.54 cm) thick. Custom mounting hardware can be provided if needed.
- 6 or 8" (15.24 or 20.32 cm) welded steel drums offer a wide range of speeds and capacity options to meet your performance requirements.
- Versatile mounting clamps attach to steel that is parallel or perpendicular to the hoist for fast, easy installation without welding.
- High-efficiency green motors meet IEC 60034-30 Efficiency Classes standard.

## Safety

- Designed and manufactured by Clancy, a company with rigging expertise since 1885.
- "Fail-safe" motor brakes are spring applied and electrically released.
- Emergency-stop system meets NFPA 79 (Electrical Standard for Industrial Machinery) with ramped stops for high speed equipment to reduce mechanical shock loads.
- Two levels of limit switches with normal travel and overtravel switches using separate, redundant circuits for added security.
- Hold-to-run controls require an operator to be present when movement is taking place in conformance with NFPA 79.
- Touch safe interior of all electrical enclosures guards to prevent contact with live components, per IEC 204-1 Protection.



*Continued on the following page.*

## Controls

PowerLine works with the entire range of Clancy automation consoles or push button controls. It can also interface with any modern control system.

## Dimensions

PowerLines are built to meet your requirements so dimensions will vary. Contact us for more details.

## Loading Information

You receive specific loading information with each PowerLine.

## Power & Wiring Information

PowerLine requires 3-phase power at 208, 230, or 460 VAC 60 hz. Additional voltages are also possible. Please contact us with your requirements. Control wiring is dependent on your control system. More information is available at [www.jrclancy.com/controlsystems.asp](http://www.jrclancy.com/controlsystems.asp).

## Warranty & System Support

**Three-Year Warranty** against defects in materials or workmanship is provided on all Clancy equipment. Our warranty is contingent on operation by trained personnel and an annual equipment inspection by a Clancy authorized technician.

**24/7 factory technical support** with additional service and assistance provided by a worldwide network of Clancy authorized dealers. Inspections and maintenance can be provided through our authorized dealers. A maintenance gallery or other means of access is required.

## Ordering Information

PowerLine is available in several standard configurations or can be customized to your needs. Contact Clancy to discuss optimal configurations or custom solutions.

### Standard Configurations

Base configuration has gear motor with integral brake on one end and centrifugal load brake on other end. Other configurations include:

**Fixed Speed:** 20 fpm / 1000 lbs. (0.1 m/s / 454 kg)  
20 fpm / 1250 lbs. (0.1 m/s / 567 kg)  
20 fpm / 1600 lbs. (0.1 m/s / 726 kg)  
20 fpm / 2150 lbs. (0.15 m/s / 975 kg)  
20 fpm / 2500 lbs. (0.1 m/s / 1184 kg)

**Variable Speed:** 0 - 110 fpm / 1300 lbs. (0 - 0.56 m/s / 590 kg)  
0 - 140 fpm / 1950 lbs. (0 - 0.71 m/s / 885 kg)  
0 - 240 fpm / 2300 lbs. (0 - 1.2 m/s / 1043 kg)

**Lift Line:** 1/4" (6.35 mm) 3/16" (4.8 mm)  
**Drum Dia.:** 7-1/2" (190 mm) 5-1/2" (140 mm)  
**Max Load/Line:** 750 lb. (341 kg) 500 lb. (227 kg)

### Additional Configurations

- One motor and centrifugal brake each end
- Two motors, one at each end of the hoist
- SureBrake™ electric brake

## Options

- Cross groove and slack line detectors
- Load cells
- Position encoder
- Additional limit switches



### Design, Manufacture and Installation of Theatrical Equipment Worldwide

For unusual applications, J.R. Clancy can create custom equipment to match your facility's specific needs. Please contact us to discuss your project's requirements.

**Wenger**

**GEARBOSS**

**JRCLANCY**  
QUALITY SINCE 1988

© 2016 Wenger Corporation  
USA/11-16/W



**WENGER CORPORATION** Phone 800.4WENGER (493-6437) Worldwide 1.507.455.4100 | Fax 507.455.4258 Worldwide 1.507.774.8576  
Parts & Service 800.887.7145 | Canada Office 800.268.0148 | Web [wengercorp.com](http://wengercorp.com) | 555 Park Drive, PO Box 448 | Owatonna | MN 55060-0448

**GEARBOSS** Phone 800.493.6437 | email [gearboss@wengercorp.com](mailto:gearboss@wengercorp.com) | Web [gearboss.com](http://gearboss.com) | 555 Park Drive, PO Box 448 | Owatonna | MN 55060-0448

**JR CLANCY** Phone 800-836-1885 Worldwide 1.315.451.3440 | Fax 877.836.1885 Worldwide 1.315.451.1766 | Web [jrclancy.com](http://jrclancy.com)  
7041 Interstate Island Road | Syracuse | NY 13209-9713