

# SceneControl® 5100 Rigging Control System

When you need accurate, repeatable positioning for battens that raise and lower equipment or curtains, you need the SceneControl® 5100 controller. Set up to eight presets – soft upper, soft lower and six intermediate targets – and run your motorized hoist with the knowledge that it will always return to the right place.

## Applications

Small venues with nominal controller needs such as Colleges and Universities, High Schools, Middle Schools, Houses of Worship

## Features

- Up to 8 channels (axes)
- User ID and Password access to multiple security levels

## Options

- Load Sensing

## Specifications

- Up to 8 channels (axes)
- Illuminated GO button
- Metric and Imperial unit capable

## Safety

- Emergency Stop Operator
- Hold-to-Run operation
- Multi-Level security
- Status/Alarm page

## Monitors and Screens

- 240 x 180 Backlit graphic LCD display in a pendant

## Dimensions

- 11.97" l x 6.29" w x 3.35" h (304 mm x 159.8 mm x 85.1 mm)



## Warranty and Support

**Three-Year Warranty** against defects in materials or workmanship is provided on all J.R. Clancy equipment. Our warranty is contingent on operation by trained personnel and an annual equipment inspection of a J.R. Clancy authorized technician.

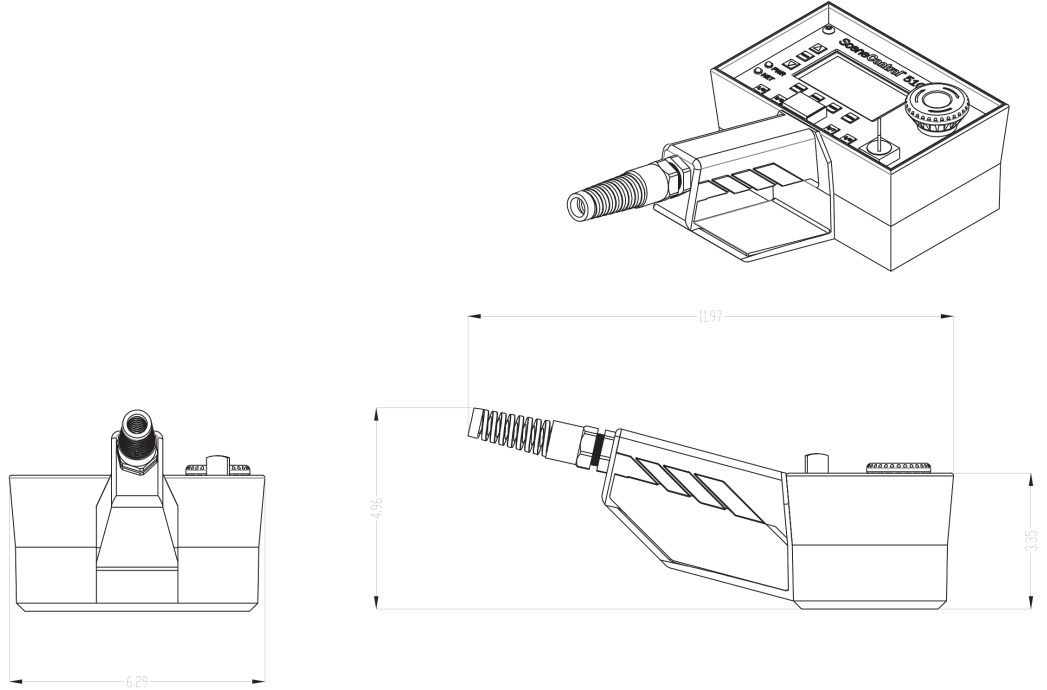
**24/7 factory technical support** with additional service and assistance provided by a worldwide network of J.R. Clancy authorized dealers.

**Inspection and maintenance** are available through J.R. Clancy's T.I.M.® (Train, Inspect, Maintain) Program.

For more information call 1-800-836-1885 or email [service@jrclancy.com](mailto:service@jrclancy.com).

## Additional Information

Additional information on J.R. Clancy systems is available at [www.jrclancy.com](http://www.jrclancy.com).



## Order Information

Number	Description
064-SC5100P-1	<b>SceneControl® 5100</b> Pendant, 1 axis
064-SC5100P-4	<b>SceneControl® 5100</b> Pendant, 4 axes
064-SC5100P-8	<b>SceneControl® 5100</b> Pendant, 8 axes



### Design, Manufacture and Installation of Theatrical Equipment Worldwide

*For unusual applications, J.R. Clancy can create custom equipment to match your facility's specific needs. Please contact us to discuss your project's requirements.*

**Wenger**

**GEARBOSS**

**JRCLANCY**  
QUALITY SINCE 1988

© 2016 Wenger Corporation  
USA/07-16/W



### WENGER CORPORATION

Phone 800.4WENGER (493-6437) Worldwide 1.507.455.4100 | Fax 507.455.4258 Worldwide 1.507.774.8576  
Parts & Service 800.887.7145 | Canada Office 800.268.0148 | Web [wengercorp.com](http://wengercorp.com) | 555 Park Drive, PO Box 448 | Owatonna | MN 55060-0448

### GEARBOSS

Phone 800.493.6437 | email [gearboss@wengercorp.com](mailto:gearboss@wengercorp.com) | Web [gearboss.com](http://gearboss.com) | 555 Park Drive, PO Box 448 | Owatonna | MN 55060-0448

### JR CLANCY

Phone 800-836-1885 Worldwide 1.315.451.3440 | Fax 877.836.1885 Worldwide 1.315.451.1766 | Web [jrclancy.com](http://jrclancy.com)  
7041 Interstate Island Road | Syracuse | NY 13209-9713