

# SceneControl® 5200 Rigging Control System

SceneControl® 5200 console provides programming for an unlimited number of cues, whether the production requires complex cues with many moving battens or synchronized groups of point hoists. The 10.1" graphic touch-screen display shows the operator the position of each batten and all of the targets, so you're never in the dark about elements in motion.

## Applications

Medium to small venues with general performances such as: Theaters, Concert and Opera Houses, Colleges and Universities, High Schools, Middle Schools, Houses of Worship

## Features

- Unlimited programming of shows
- Unlimited numbers of cues per show
- Up to 24 channels (axes)
- External USB ports for copying files or connecting approved input devices
- Multiple consoles can be networked together (requires network storage device)
- Motion commands initiated and maintained by hard-wired, illuminated push buttons that are not part of any touch screen function
- Start/Stop on axis multiple times within a cue or send an axis to multiple targets
- Run more than one cue at a time
- Run repetitive motion loops
- Change the speed of an axis in motion
- Create motion profiles based on time or velocity
- User ID and passwords which give the ability to restrict functions to appropriate users
- Multi-language supporting English plus two additional languages. Accepts input of Western, Russian, Asian and Arabic characters
- Data can be presented in units of feet/inches, decimal feet, meters or as a percentage
- Grouping with the ability to synchronize any number of hoists into a control group
- Create an unlimited set of macros for frequently used functions
- System critical actions are recorded and automatically saved in a time-stamped file
- Available as a rack mount, wall mount and a pendant



## Options

- SIL3 Emergency Stop Upgrade
- Load Sensing
- Server or Network Storage Space (NAS)
- Remote access to a service technician via a secure access device

## Specifications

- Unlimited programming of shows
- Up to 24 channels (axes)
- Multilingual interface
- Illuminated software function macros keys
- Unlimited numbers of cues per show
- Synchronized group operation
- Illuminated STOP/GO buttons

## Safety

- Emergency Stop Operator
- Safety constraint algorithms
- Status/Alarm page
- Hold-to-Run bar
- Multi-level security
- Event log

## Networking and Processing

- Networks with other J.R. Clancy consoles
- 32G Hard drive free storage space

## Monitors and Screens

- 10.1" Touch Screen

*Continued on the following page.*

## Dimensions

- SC5200R: 19" w x 6" d x 5RU h (482 mm x 152 mm x 5RU)
- SC5200R+: 19" w x 6" d x 8RU h (482 mm x 152 mm x 8RU)
- SC5200W: 20" w x 8" d x 16" h (508 mm x 203 mm x 406 mm)
- SC5200W+: 20" w x 8" d x 16" h (508 mm x 208 mm x 406 mm)
- SC5200P: 12.24" w x 2.95" d x 11.06" h [3.73"D w/ Estop operator] (311 mm x 75 mm x 281 mm [95 mm w/Estop operator])
- **Note:** 1 RU (Rack Unit) = 1.75" (44.5 mm)

## System

- Operating System: MS Windows embedded
- Motion Control Software: Raynok for J.R. Clancy

## Warranty and Support

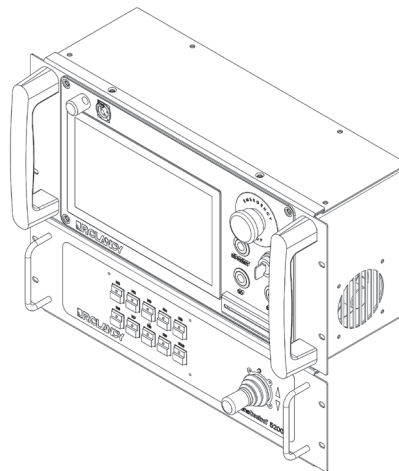
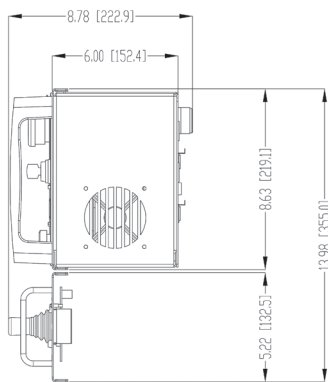
**Three-Year Warranty** against defects in materials or workmanship is provided on all J.R. Clancy equipment. Our warranty is contingent on operation by trained personnel and an annual equipment inspection of a J.R. Clancy authorized technician.

**24/7 factory technical support** with additional service and assistance provided by a worldwide network of J.R. Clancy authorized dealers.

**Inspection and maintenance** are available through J.R. Clancy's T.I.M.® (Train, Inspect, Maintain) Program. For more information call 1-800-836-1885 or email [service@jrclancy.com](mailto:service@jrclancy.com).

## Additional Information

Additional information on J.R. Clancy systems is available at [www.jrclancy.com](http://www.jrclancy.com).



## Order Information

Number	Description
064-SC5200W	<b>SceneControl® 5200W</b> Wall Mount
064-SC5200W+	<b>SceneControl® 5200W</b> Wall Mount with panel, macros, joystick
064-SC5200R	<b>SceneControl® 5200R</b> Rack Mount
064-SC5200R+	<b>SceneControl® 5200R</b> Rack Mount with panel, macros, joystick
064-SC5200P	<b>SceneControl® 5200P</b> Hand-held Pendant



### Design, Manufacture and Installation of Theatrical Equipment Worldwide

*For unusual applications, J.R. Clancy can create custom equipment to match your facility's specific needs. Please contact us to discuss your project's requirements.*

**Wenger**

**GEARBOSS**

**JRCLANCY**  
QUALITY SINCE 1988

© 2016 Wenger Corporation  
USA/07-16/W



### WENGER CORPORATION

Phone 800.4WENGER (493-6437) Worldwide 1.507.455.4100 | Fax 507.455.4258 Worldwide 1.507.774.8576  
Parts & Service 800.887.7145 | Canada Office 800.268.0148 | Web [wengercorp.com](http://wengercorp.com) | 555 Park Drive, PO Box 448 | Owatonna | MN 55060-0448

### GEARBOSS

Phone 800.493.6437 | email [gearboss@wengercorp.com](mailto:gearboss@wengercorp.com) | Web [gearboss.com](http://gearboss.com) | 555 Park Drive, PO Box 448 | Owatonna | MN 55060-0448

### JR CLANCY

Phone 800-836-1885 Worldwide 1.315.451.3440 | Fax 877.836.1885 Worldwide 1.315.451.1766 | Web [jrclancy.com](http://jrclancy.com)  
7041 Interstate Island Road | Syracuse | NY 13209-9713