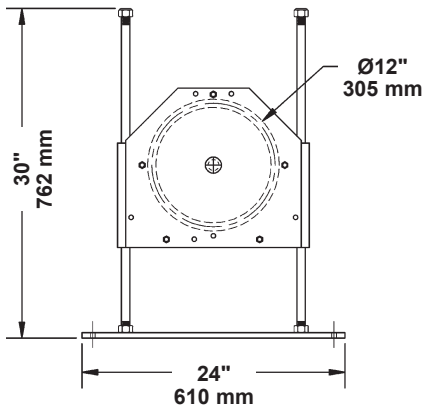
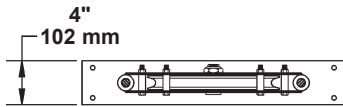


# Sliding Tension Floor Blocks

- Used with manual fire curtains to provide proper tension in the hand line.
- 12" (305 mm) diameter ASTM Class 30 grey iron sheave with machined groove for 3/4" (19 mm) or 1" (25.4 mm) rope.
- Tapered roller bearings.
- Sheave "floats" on two 3/4" (19 mm) diameter rods.

## Dimensions



#600-11217C100

## Order Information

Number	Sheave Diameter	Groove	Weight
600-11217C75	12" (305 mm)	3/4" (19 mm)	40 lbs. (18.1 kg)
600-11217C100	12" (305 mm)	1" (25.4 mm)	40 lbs. (18.1 kg)



### Design, Manufacture and Installation of Theatrical Equipment Worldwide

For unusual applications, J.R. Clancy can create custom equipment to match your facility's specific needs. Please contact us to discuss your project's requirements.



© 2017 Wenger Corporation  
USA/2017-01/W

