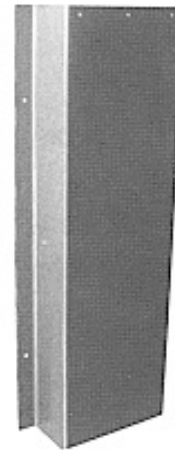


Smoke Pockets

- Smoke pockets contain the sides of the curtain to reduce the passage of smoke and house the curtain guides.
- Pockets consist of a 6" (152 mm) or 8" (203 mm) deep "Z" channel and 18" (457 mm) wide plates, all formed from 1/4" (6.35 mm) steel plate in 5' (1.524 m) and 10' (3.048 m) lengths. The removable 18" (457 mm) plates make smoke pocket and curtain installation faster and simpler than one piece designs.
- 6" (152 mm) pockets are used with most straight lift curtains; 8" (203 mm) deep pockets are used with brail fire curtains.
- All connections are bolted for serviceability.
- Sections anchor to the building with 1/2" (12.7 mm) bolts or anchors on 4' (1.2 m) centers.
- Pockets with guide tracks are used for fire curtains with 016-370 roller guides.

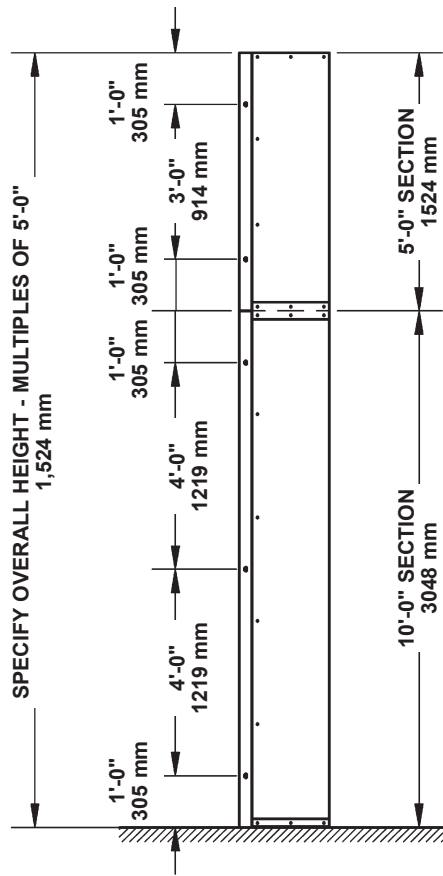
Order Information

Number	Description	Weight
016-106005	6" Deep x 5' high (152 mm x 1.524 m) Smoke Pocket	111 lbs. (50.3 kg)
016-106010	6" Deep x 10' high (152 mm x 3.048 m) Smoke Pocket	222 lbs. (100.6 kg)
016-108005	8" Deep x 5' high (203 mm x 1.524 m) Smoke Pocket	119 lbs. (54 kg)
016-108010	8" Deep x 10' high (203 mm x 3.048 m) Smoke Pocket	238 lbs. (108 kg)
016-106T05	6" Deep x 5' high (152 mm x 1.524 m) Smoke Pocket with track	125 lbs. (56.7 kg)
016-106T10	6" Deep x 10' high (152 mm x 3.048 m) Smoke Pocket with track	250 lbs. (113.4 kg)

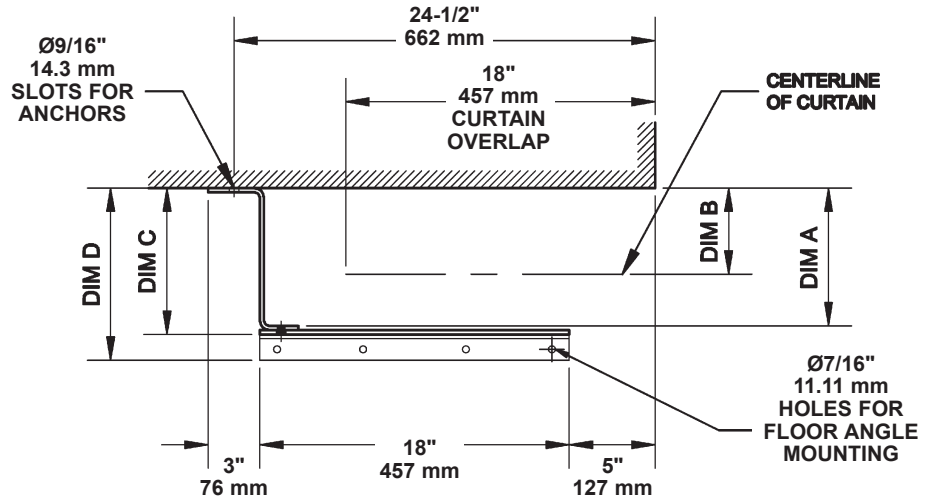


**Smoke Pocket
016-106005**

Dimensions



Typical Elevation



Typical Plan

Number	Height	Dim A	Dim B	Dim C	Dim D
016-106005	5' (1.5 m)	6" (152 mm)	3" (76 mm)	6-1/2" (165 mm)	8" (203 mm)
016-106010	10' (3.0 m)	6" (152 mm)	3" (76 mm)	6-1/2" (165 mm)	8" (203 mm)
016-108005	5' (1.5 m)	8" (203 mm)	5" (127 mm)	8-1/2" (216 mm)	10" (254 mm)
016-108010	10' (3.0 m)	8" (203 mm)	5" (127 mm)	8-1/2" (216 mm)	10" (254 mm)
016-106T05	5' (1.5 m)	6" (152 mm)	3" (76 mm)	6-1/2" (165 mm)	8" (203 mm)
016-106T10	10' (3.0 m)	6" (152 mm)	3" (76 mm)	6-1/2" (165 mm)	8" (203 mm)



Design, Manufacture and Installation of Theatrical Equipment Worldwide

For unusual applications, J.R. Clancy can create custom equipment to match your facility's specific needs. Please contact us to discuss your project's requirements.



© 2016 Wenger Corporation
USA/11-16/W



WENGER CORPORATION

Phone 800.4WENGER (493-6437) Worldwide 1.507.455.4100 | Fax 507.455.4258 Worldwide 1.507.774.8576
Parts & Service 800.887.7145 | Canada Office 800.268.0148 | Web wengercorp.com | 555 Park Drive, PO Box 448 | Owatonna | MN 55060-0448

GEARBOSS

Phone 800.493.6437 | email gearboss@wengercorp.com | Web gearboss.com | 555 Park Drive, PO Box 448 | Owatonna | MN 55060-0448

JR CLANCY

Phone 800-836-1885 Worldwide 1.315.451.3440 | Fax 877.836.1885 Worldwide 1.315.451.1766 | Web jrclancy.com
7041 Interstate Island Road | Syracuse | NY 13209-9713