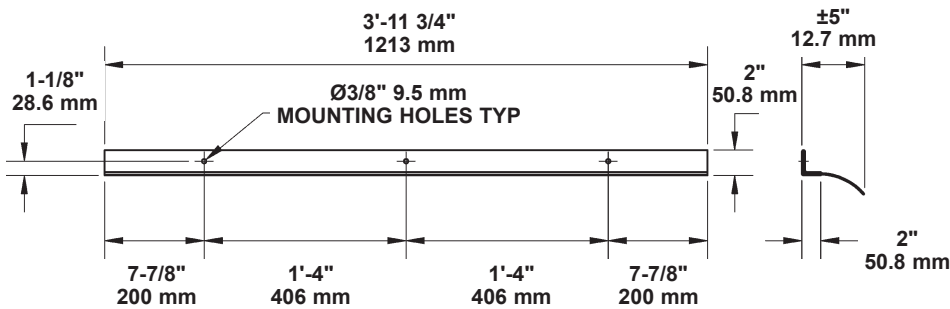


Smoke Seal

- Used to seal the horizontal gap between the top of the fire curtain and the proscenium wall.
- Modular pieces are 4' (1.2 m) long making handling easier and reducing field installation time.
- A triple layer of Zetex™ fabric is factory crimped into the folded steel mounting angle, providing the stiffness necessary to maintain contact with the fire curtain.
- The angle is pre-punched on 16" (406 mm) centers for mounting convenience.
- Each piece weighs only 5.5 lbs. (2.5 kg), for simple handling.
- Smoke seal sections may be trimmed to fit as required.

Dimensions



Smoke Seal Assembly
016-SEAL4

Order Information

Number	Description	Weight
016-SEAL4	Smoke Seal Assembly, 4 ft. long (1.2 m)	6 lbs. (2.7 kg)



Design, Manufacture and Installation of Theatrical Equipment Worldwide

For unusual applications, J.R. Clancy can create custom equipment to match your facility's specific needs. Please contact us to discuss your project's requirements.



© 2016 Wenger Corporation
USA/07-16/W

