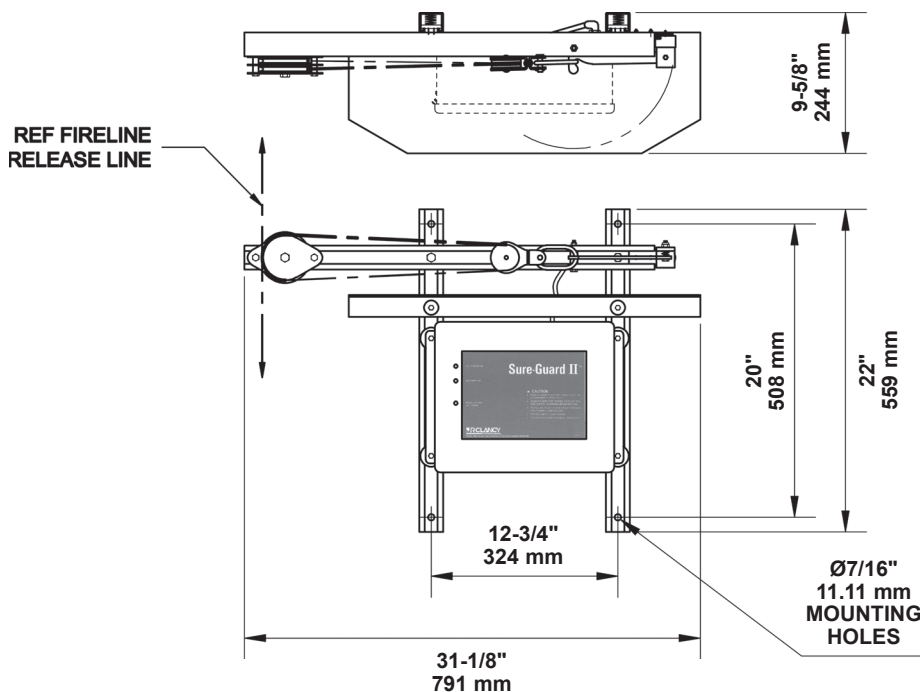


# SureGuard® II

- Allows fire detection systems such as smoke detectors or other electrical signals to release the fire curtain.
- Works with sensors using either “Normally Open” or “Normally Closed” contacts.
- When triggered, the Sure-Guard II’s electro-mechanical mechanism releases tension in the fire line, allowing the fire safety curtain to close. The release mechanism may be attached to the fire line at any point and does not interfere with other release mechanisms.
- Release mechanism is jostle resistant to reduce false tripping.
- A sealed lead acid battery and charger holds the release in the event of power loss.
- 120 VAC power required.
- UL Listed.

## Dimensions



SureGuard II Release System  
016-970

## Order Information

Number	Description	Weight
016-970	SureGuard II Release System	40 lbs. (18.1 kg)



### Design, Manufacture and Installation of Theatrical Equipment Worldwide

For unusual applications, J.R. Clancy can create custom equipment to match your facility's specific needs. Please contact us to discuss your project's requirements.



© 2016 Wenger Corporation  
USA/07-16/W



### WENGER CORPORATION

Phone 800.4WENGER (493-6437) Worldwide 1.507.455.4100 | Fax 507.455.4258 Worldwide 1.507.774.8576  
Parts & Service 800.887.7145 | Canada Office 800.268.0148 | Web wengercorp.com | 555 Park Drive, PO Box 448 | Owatonna | MN 55060-0448

### GEARBOSS

Phone 800.493.6437 | email gearboss@wengercorp.com | Web gearboss.com | 555 Park Drive, PO Box 448 | Owatonna | MN 55060-0448

### JR CLANCY

Phone 800-836-1885 Worldwide 1.315.451.3440 | Fax 877.836.1885 Worldwide 1.315.451.1766 | Web jrclancy.com  
7041 Interstate Island Road | Syracuse | NY 13209-9713