

SureStop® Head Block

General Information

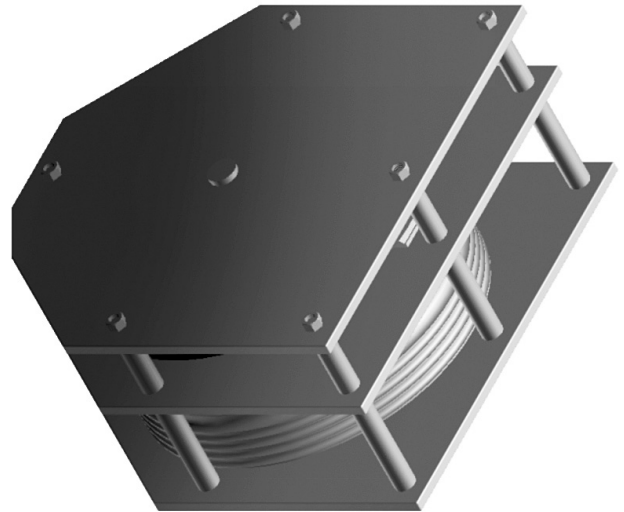
Even the most experienced operators can misjudge the weight of a load on a batten or arbor. If the arbor begins to move too quickly in either direction, SureStop® Head Block senses the speed mechanically, and engages a brake. The head block sheave comes to a stop, slowing and stopping both the arbor and the batten. This significantly reduces the possibility of accident or injury.

Applications

Any venue that uses head blocks and is concerned about safety and possible out-of-balance situations, such as: Theaters, Middle Schools, High Schools, Colleges and Universities

Features

- Senses overspeed conditions
- Controlled speed reduction so as not to cause damage to equipment
- Once out-of-balance situation is rectified, brake releases automatically
- 10 gauge (3.41mm) side plates fully enclose sheave
- Side plates are bolted and welded to the base angles for extra strength
- Base angles punched with a hole pattern for easy installations



Dimensions

15" w x 7-7/8" d x 15" h (318mm x 200mm x 381mm)

Warranty and Support

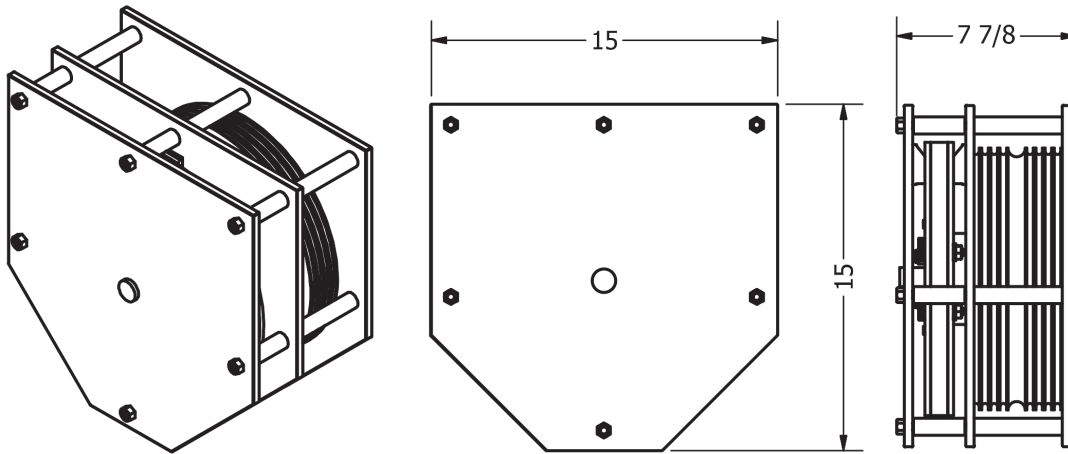
Three-Year Warranty against defects in materials or workmanship is provided on all J.R. Clancy equipment. Our warranty is contingent on operation by trained personnel and an annual equipment inspection of a J.R. Clancy authorized technician.

24/7 factory technical support with additional service and assistance provided by a worldwide network of J.R. Clancy authorized dealers.

Inspection and maintenance are available through J.R. Clancy's T.I.M.® (Train, Inspect, Maintain) Program. For more information call 1-800-836-1885 or email service@jrclancy.com.

Additional Information

Additional information on J.R. Clancy head blocks is available at www.jrclancy.com.



Order Information

Number	Description
100-81255N25S1	SureStop® Block 75 RPM Trip Speed
100-81255N25S2	SureStop® Block Upright 125 RPM Trip Speed
100-81259N25S1	SureStop® Block Underhung 75 RPM Trip Speed
100-81259N25S2	SureStop® Block Underhung 125 RPM Trip Speed



Design, Manufacture and Installation of Theatrical Equipment Worldwide

For unusual applications, J.R. Clancy can create custom equipment to match your facility's specific needs. Please contact us to discuss your project's requirements.

Wenger

GEARBOSS

JRCLANCY
QUALITY SINCE 1988

© 2016 Wenger Corporation
USA/07-16/W



WENGER CORPORATION Phone 800.4WENGER (493-6437) Worldwide 1.507.455.4100 | Fax 507.455.4258 Worldwide 1.507.774.8576
Parts & Service 800.887.7145 | Canada Office 800.268.0148 | Web wengercorp.com | 555 Park Drive, PO Box 448 | Owatonna | MN 55060-0448

GEARBOSS Phone 800.493.6437 | email gearboss@wengercorp.com | Web gearboss.com | 555 Park Drive, PO Box 448 | Owatonna | MN 55060-0448

JR CLANCY Phone 800-836-1885 Worldwide 1.315.451.3440 | Fax 877.836.1885 Worldwide 1.315.451.1766 | Web jrclancy.com
7041 Interstate Island Road | Syracuse | NY 13209-9713