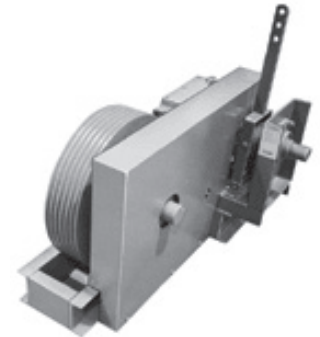
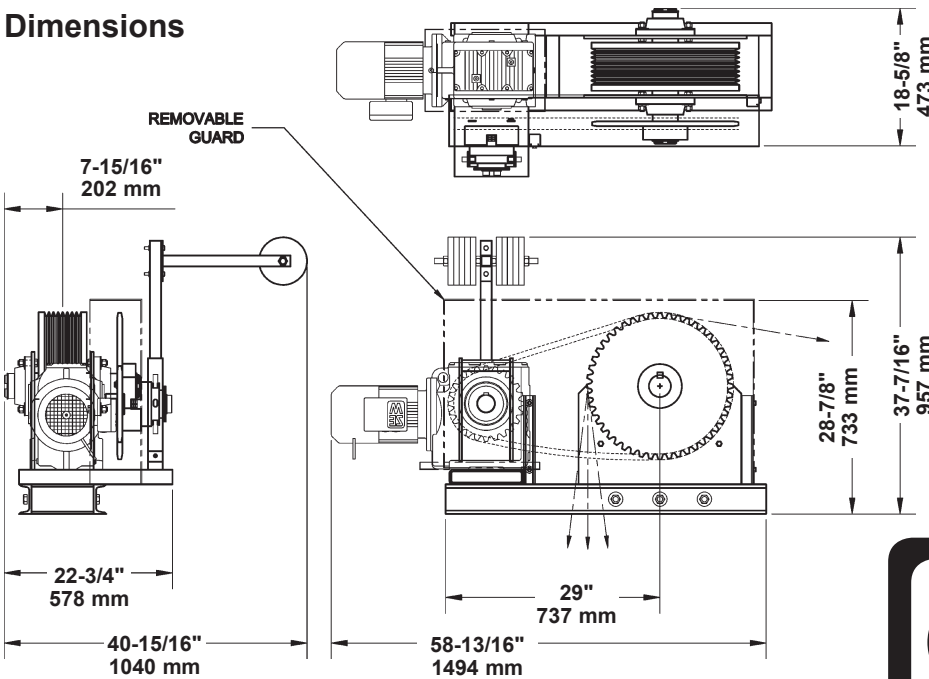


Traction Drive Hoist

- Used to motorize counterweighted straight lift fire curtains.
- V-grooves in the head block drive the lift line cables to open and close the curtain during normal operation.
- A clutch between the gearbox and the traction head block is held engaged by the fire line. When the fire line is released, the clutch is disengaged, allowing the head block to freewheel so that the curtain closes. The system must be curtain heavy.
- A separate dashpot or speed regulator may be necessary for speed control.
- Track-mounted limit switches limit the travel.
- Operates on 208, 230, or 460 VAC 3 phase power. Please confirm voltage at time of ordering.

Dimensions



Traction Drive Hoist
016-2TW



Design, Manufacture and Installation of Theatrical Equipment Worldwide
For unusual applications, J.R. Clancy can create custom equipment to match your facility's specific needs. Please contact us to discuss your project's requirements.

Order Information

| Number | Description | RWL | Weight |
|-------------|--|-----------------------|-----------------------|
| 016-2TW-2-L | Fire Curtain Traction Hoist 2000 lbs. (907 kg), 208V, Mounted Stage Left, 25 fpm (0.13 m/s) | 2000 lbs. (907 kg) | 1200 lbs. (544 kg) |
| 016-2TW-2-R | Fire Curtain Traction Hoist 2000 lbs. (907 kg), 208V, Mounted Stage Right, 25 fpm (0.13 m/s) | 2000 lbs. (907 kg) | 1200 lbs. (544 kg) |
| 016-2TW-3-L | Fire Curtain Traction Hoist 2000 lbs. (907 kg), 380-415V, Mounted Stage Left, 25 fpm (0.13 m/s) | 2000 lbs. (907 kg) | 1200 lbs. (544 kg) |
| 016-2TW-3-R | Fire Curtain Traction Hoist 2000 lbs. (907 kg), 380-415V, Mounted Stage Right, 25 fpm (0.13 m/s) | 2000 lbs. (907 kg) | 1200 lbs. (544 kg) |
| 016-2TW-4-L | Fire Curtain Traction Hoist 2000 lbs. (907 kg), 480V, Mounted Stage Left, 25 fpm (0.13 m/s) | 2000 lbs. (907 kg) | 1200 lbs. (544 kg) |
| 016-2TW-4-R | Fire Curtain Traction Hoist 2000 lbs. (907 kg), 480V, Mounted Stage Right, 25 fpm (0.13 m/s) | 2000 lbs. (907 kg) | 1200 lbs. (544 kg) |

RWL: RWL is maximum load that can be applied to the traction drive hoist which is in "like new" condition and has been properly installed, maintained, and operated.



© 2017 Wenger Corporation
USA/04-17/W



WENGER CORPORATION

Phone 800.4WENGER (493-6437) Worldwide 1.507.455.4100 | Fax 507.455.4258 Worldwide 1.507.774.8576
Parts & Service 800.887.7145 | Canada Office 800.268.0148 | Web wengercorp.com | 555 Park Drive, PO Box 448 | Owatonna | MN 55060-0448

GEARBOSS

Phone 800.493.6437 | email gearboss@wengercorp.com | Web gearboss.com | 555 Park Drive, PO Box 448 | Owatonna | MN 55060-0448

JR CLANCY

Phone 800-836-1885 Worldwide 1.315.451.3440 | Fax 877.836.1885 Worldwide 1.315.451.1766 | Web jrclancy.com
7041 Interstate Island Road | Syracuse | NY 13209-9713