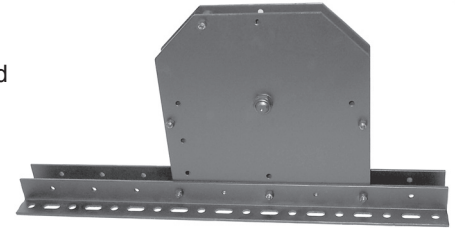


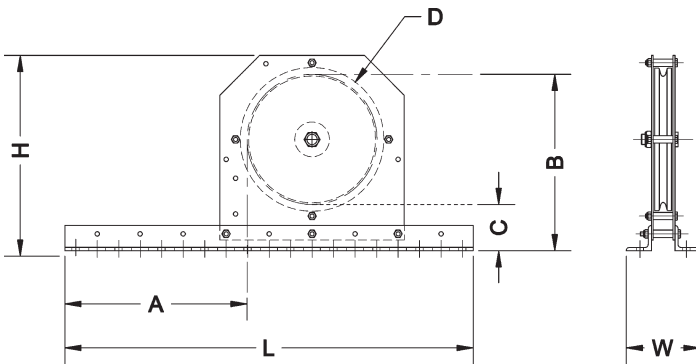
Universal Loft Blocks – 55/56/59 Series

- May be mounted upright or underhung.
- May be supported by I-beams, grid wells, or Unistrut™.
- Nylon or ASTM Class 30 grey iron sheaves.
- 8" (203 mm) blocks have 24" (610 mm) base angles with a continuous pattern of holes and slots for universal mounting for a grip range up to 20" (508 mm).
Multi-line block base angles have a series of mounting holes.
- 8-Line blocks have the base angles turned in, requiring different upright and underhung models.
- A clip package is available for single line blocks with a combination of J-bolts and clips for both underhung and upright mounting options.
- Sealed precision ball bearings (Single line, 8" [203 mm] nominal sheave only) or tapered roller bearings.
- Side plates fully enclose sheave.
- Five spacers between the side plates, three of which prevent cables from escaping the sheave grooves.
- Pivot adapters (070-PIVOT) are available for single line 8" (203 mm) blocks used in applications where the mounting surface is sloped.
- Underhung loft blocks may need to be welded to loft beams after final alignment – consult the factory for specific information.



**Universal Loft Block
200-10856N25**

Dimensions





Design, Manufacture and Installation of Theatrical Equipment Worldwide
For unusual applications, J.R. Clancy can create custom equipment to match your facility's specific needs. Please contact us to discuss your project's requirements.

Nominal Sheave Diameter	Lines	Dim. L	Dim. H	Dim. W	Dim. A	Dim. B	Dim. C*	Dim. D Sheave Diameter	Sideplate
8" (203 mm)	1	24-3/8" (619 mm)	11-5/8" (295.3 mm)	4-3/8" (111 mm)	10-7/8" (276.2 mm)	10-1/2" (266.7 mm)	2-3/4" (70 mm)	8-9/16" (217 mm)	12 GA (2.65 mm)
8" (203 mm)	2	24-3/8" (619 mm)	11-5/8" (295.3 mm)	4-3/8" (111 mm)	10-7/8" (276.2 mm)	10-1/2" (266.7 mm)	2-3/4" (70 mm)	8-9/16" (217 mm)	12 GA (2.65 mm)
8" (203 mm)	4	21" (533 mm)	11-7/16" (290.5 mm)	5-1/2" (139.7 mm)	8-13/16" (223.8 mm)	10-1/8" (257 mm)	2-1/4" (57 mm)	8-1/2" (216 mm)	10 GA (3.4 mm)
8" (203 mm)	8	32"+ (813 mm)	11-7/16" (290.5 mm)	5-1/2" (139.7 mm)	8-13/16" (223.8 mm)	10-1/8" (257 mm)	2-1/4" (57 mm)	8-1/2" (217 mm)	10 GA (3.4 mm)
8" (203 mm)	10	32"+ (813 mm)	11-7/16" (290.5 mm)	6-3/16" (157 mm)	8-13/16" (223.8 mm)	10-1/8" (257 mm)	2-1/4" (57 mm)	8-1/2" (217 mm)	10 GA (3.4 mm)
12" (305 mm)	1	28" (711 mm)	15" (381 mm)	4-3/4" (120.6 mm)	12-3/8" (314.3 mm)	13-3/4" (349.2 mm)	2-3/8" (60.3 mm)	12" (305 mm)	10 GA (3.4 mm)
12" (305 mm)	2	28" (711 mm)	15" (381 mm)	4-3/4" (120.6 mm)	12-3/8" (314.3 mm)	13-3/4" (349.2 mm)	2-3/8" (60.3 mm)	12" (305 mm)	10 GA (3.4 mm)
12" (305 mm)	8	34" (864 mm)	15" (381 mm)	5-3/8" (136.5 mm)	13-5/16" (338 mm)	13-11/16" (347.7 mm)	2-5/16" (74.6 mm)	12" (305 mm)	10 GA (3.4 mm)
16" (305 mm)	1	26" (660 mm)	19" (483 mm)	5-1/4" (133.3 mm)	22-3/4" (578 mm)	17-3/4" (450.8 mm)	2-1/8" (54 mm)	16" (406 mm)	7 GA (4.55 mm)

*Dimension to cable C/L when block is used in underhung application.
+32" (813 mm) for upright 21" (533 mm) for underhung

Order Information

Sheave Diameter	Lines	Bearings	Cast Iron Product Code	RWL	Weight	Nylon Product Code	RWL	Weight
Cable Blocks (1/4" [6.35 mm] cable)								
8-1/2" (216 mm)	1	17 mm BB	200-10855C25	500 lbs. (227 kg)	20 lbs. (9 kg)	200-10856N25	750 lbs. (340 kg)	15 lbs. (6.8 kg)
8-1/2" (216 mm)	2	17 mm BB	200-20855C25	700 lbs. (317 kg)	20 lbs. (9 kg)	200-20855N25	750 lbs. (340 kg)	16 lbs. (7.25 kg)
8-1/2" (216 mm)	1	17 mm TRB	200-10856C25T	500 lbs. (227 kg)	20 lbs. (9 kg)	200-10856N25T	750 lbs. (340 kg)	15 lbs. (6.8 kg)
8-1/2" (216 mm)	2	17 mm TRB	200-20855C25T	700 lbs. (317 kg)	20 lbs. (9 kg)	200-20855N25T	750 lbs. (340 kg)	16 lbs. (7.25 kg)
8-1/2" (216 mm)	4	1" TRB (25.4 mm)	200-40855C25	1300 lbs. (590 kg)	40 lbs. (18 kg)	200-40855N25	1300 lbs. (590 kg)	31 lbs. (14 kg)
8-1/2" Upright (216 mm)	8	1" TRB (25.4 mm)	200-80855C25	1300 lbs. (590 kg)	52 lbs. (23.5 kg)	200-80855N25	1300 lbs. (590 kg)	32 lbs. (14.5 kg)
8-1/2" Underhung (216 mm)	8	1" TRB (25.4 mm)	200-80859C25	1300 lbs. (590 kg)	52 lbs. (23.5 kg)	200-80859N25	1300 lbs. (590 kg)	32 lbs. (14.5 kg)
8-1/2" Upright (216 mm)	10	1" TRB (25.4 mm)	200-10855C25	1300 lbs. (590 kg)	55 lbs. (25 kg)	-	-	-
8-1/2" Underhung (216 mm)	10	1" TRB (25.4 mm)	200-10859C25	1300 lbs. (590 kg)	55 lbs. (25 kg)	-	-	-
12"* (305 mm)	1	1" TRB (25.4 mm)	200-11255C25	700 lbs. (317 kg)	50 lbs. (22.7 kg)	-	-	-
12" (305 mm)	2	1" TRB (25.4 mm)	200-21255	1400 lbs. (634 kg)	50 lbs. (22.7 kg)	-	-	-
12" Upright (305 mm)	8	1" TRB (25.4 mm)	200-81255C25	3000 lbs. (1361 kg)	74 lbs. (33.5 kg)	-	-	-
12" Underhung (305 mm)	8	1" TRB (25.4 mm)	200-81259C25	2500 lbs. (1134 kg)	74 lbs. (33.5 kg)	-	-	-
16"+ (305 mm)	1	1" TRB (25.4 mm)	200-11655S38	1400 lbs. (634 kg)	110 lbs. (50 kg)	-	-	-
Cable Blocks (3/16" [4.76 mm] cable)								
8-1/2" (216 mm)	1	17 mm BB	-	-	-	200-10855N19	500 lbs. (227 kg)	15 lbs. (6.8 kg)
8-1/2" (216 mm)	1	17 mm TRB	-	-	-	200-10855N19T	500 lbs. (227 kg)	15 lbs. (6.8 kg)
8-1/2" (216 mm)	8	1" TRB (25.4 mm)	-	-	-	200-80855N19	1300 lbs. (590 kg)	28 lbs. (12.7 kg)
8-1/2" (216 mm)	8	1" TRB (25.4 mm)	-	-	-	200-80859N19	1300 lbs. (590 kg)	28 lbs. (12.7 kg)
Rope Blocks (3/4" [19 mm] cable)								
8" (203 mm)	1	17 mm BB	200-10855C75	300 lbs. (136 kg)	20 lbs. (9 kg)	200-10855N75	300 lbs. (136 kg)	15 lbs. (6.8 kg)
8" (203 mm)	1	17 mm TRB	200-10855C75T	300 lbs. (136 kg)	20 lbs. (9 kg)	200-10855N75T	300 lbs. (136 kg)	15 lbs. (6.8 kg)
<p>*Available for 1/4" (6.35 mm) or 3/8" (9.5 mm) cable, specify. (RWL for 1/4" (6.35 mm) groove 700 lbs. (317 kg), for 3/8" (9.5 mm) groove 1050 lbs. (476 kg)) +Steel sheave, available for 3/8" (9.5 mm) or 1/2" (12.7 mm) cable, specify.</p> <p>RWL: RWL is maximum load that can be applied to a block which is in "like new" condition and has been properly installed, maintained, and operated.</p>								



© 2016 Wenger Corporation
USA/07-16/W



WENGER CORPORATION

Phone 800.4WENGER (493-6437) Worldwide 1.507.455.4100 | Fax 507.455.4258 Worldwide 1.507.774.8576
 Parts & Service 800.887.7145 | Canada Office 800.268.0148 | Web wengercorp.com | 555 Park Drive, PO Box 448 | Owatonna | MN 55060-0448

GEARBOSS

Phone 800.493.6437 | email gearboss@wengercorp.com | Web gearboss.com | 555 Park Drive, PO Box 448 | Owatonna | MN 55060-0448

JR CLANCY

Phone 800-836-1885 Worldwide 1.315.451.3440 | Fax 877.836.1885 Worldwide 1.315.451.1766 | Web jrclancy.com
 7041 Interstate Island Road | Syracuse | NY 13209-9713