

VARION™ Versatility Hoist

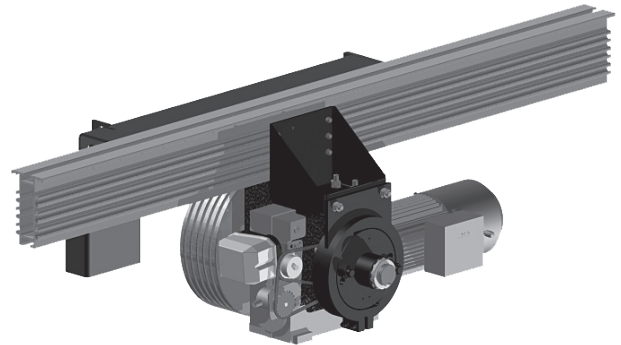
You told us what you needed, and we listened: With batten lengths up to 45' (13.7 m) and as much as 50' (15.2 m) of travel, the Varion™ hoist delivers a gross lifting capacity of 1,500 lbs (680 kg). Five lift lines feature steel guides, so there's no danger of cables crossing the groove. The hoist can be supported from the top of the beam or underhung – whatever works best for your needs in your theatre. Equally important, this affordable hoist gives you the flexibility you need at a price point your budget can handle.

Applications

Front of House and Stage.

Features

- Travel: Up to 50' (15.2 m)
- Batten length: Up to 45' (13.7 m)
- Speed: 15 fpm
- Live load: 1,350 lbs (612 kg) without plug-in strip,
1,000 lbs (454 kg) with plug-in strip
- Lift lines: 5, Adjustable on back bone
- Wire rope diameter: 3/16"



Options include

- Encoder
- Cable management: flat fold
- Light circuits: Up to 36 (configuration dependent)
- Cable management system
- Data available for DMX or Ethernet protocol

Safety

- Hoist overload detection
- Overspeed brake
- Robust back bone to eliminate horizontal forces on the building.

Controls

The Varion™ hoist works with J.R. Clancy's SceneControl® Series consoles.

Mounting

It can be underhung or sit on top of grid.

Motor Information

Volts	Phase	Hz	Amperage
208V	3-phase	60 Hz	4.9 FLA*
460V	3-phase	60 Hz	2.2 FLA*
380-415V	3-phase	50/60 Hz	2.53 FLA*

*FLA = Full Load Amperage

Dimensions

- 46.25" w x 20.5" d x 21" h (1174.75 mm x 520.7 mm x 533.4 mm)

Weight

- Less than 500 lbs. (less than 226.8 kg)

Warranty and Support

Three-Year Warranty against defects in materials or workmanship is provided on all J.R. Clancy equipment. Our warranty is contingent on operation by trained personnel and an annual equipment inspection of a J.R. Clancy authorized technician.

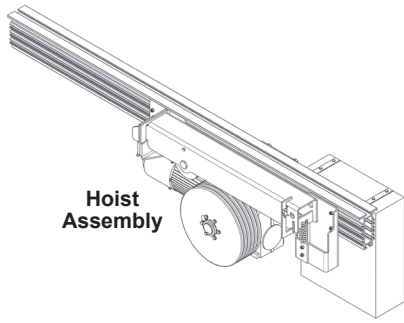
24/7 factory technical support with additional service and assistance provided by a worldwide network of J.R. Clancy authorized dealers.

Inspection and maintenance are available through J.R. Clancy's T.I.M.® (Train, Inspect, Maintain) Program. For more information call 1-800-836-1885 or email service@jrclancy.com.

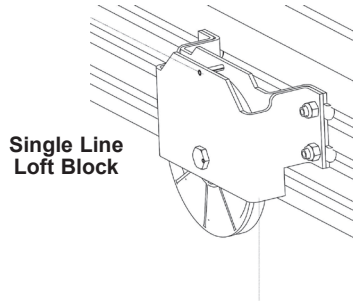
Additional Information

Additional information on J.R. Clancy hoists is available at www.jrclancy.com.

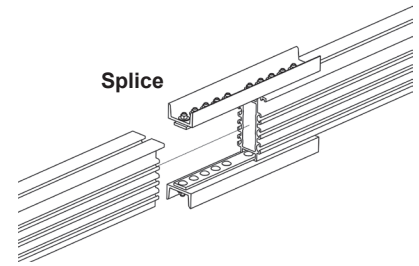
Continued on the following page.



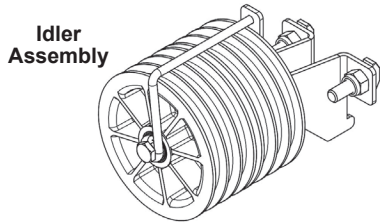
Hoist Assembly



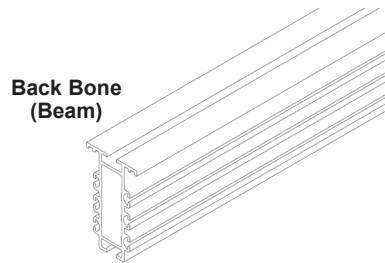
Single Line Loft Block



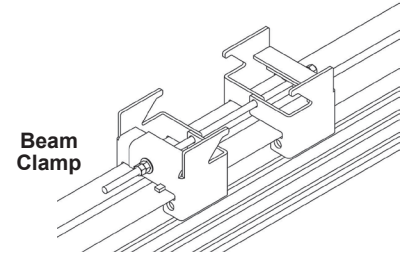
Splice



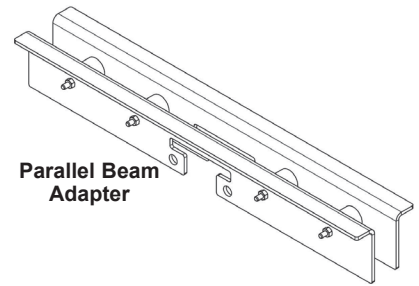
Idler Assembly



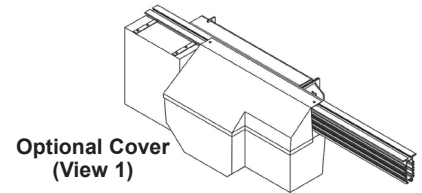
Back Bone (Beam)



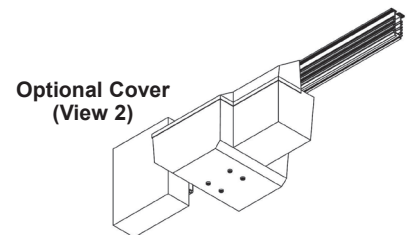
Beam Clamp



Parallel Beam Adapter



Optional Cover (View 1)



Optional Cover (View 2)

Order Information

Number	Description
018-1718	VARION™ Versatility Hoist 1,500 lb., 15 fpm
Varion Hoist Motor Assembly Configurations	
018-1718-2-FE	VARION™ Hoist 208V, Beam mounted SceneControl® starter with encoder
018-1718-2-J	VARION™ Hoist 208V, Beam mounted junction box
018-1718-2-JE	VARION™ Hoist 208V, Beam mounted junction box with encoder
018-1718-2-P	VARION™ Hoist 208V, Beam mounted pushbutton starter
018-1718-4-FE	VARION™ Hoist 480V, Beam mounted SceneControl® starter with encoder
018-1718-4-J	VARION™ Hoist 480V, Beam mounted junction box
018-1718-4-JE	VARION™ Hoist 480V, Beam mounted junction box with encoder
018-1718-4-P	VARION™ Hoist 480V, Beam mounted pushbutton starter
Varion Hoist Accessories	
088-1766	Back bone (Beam) 20' Section
118-1729	Idler Assembly
118-1732	Single Line Loft Block
118-1762	Beam Clamp
118-1790	Splice
118-1795	Parallel Beam Adapter

Wenger

GEARBOSS

JRCLANCY
QUALITY SINCE 1988

WENGER CORPORATION

Phone 800.4WENGER (493-6437) Worldwide 1.507.455.4100 | Fax 507.455.4258 Worldwide 1.507.774.8576
Parts & Service 800.887.7145 | Canada Office 800.268.0148 | Web wengercorp.com | 555 Park Drive, PO Box 448 | Owatonna | MN 55060-0448

GEARBOSS

Phone 800.493.6437 | email gearboss@wengercorp.com | Web gearboss.com | 555 Park Drive, PO Box 448 | Owatonna | MN 55060-0448

JR CLANCY

Phone 800-836-1885 Worldwide 1.315.451.3440 | Fax 877.836.1885 Worldwide 1.315.451.1766 | Web jrclancy.com
7041 Interstate Island Road | Syracuse | NY 13209-9713



Design, Manufacture and Installation of Theatrical Equipment Worldwide

For unusual applications, J.R. Clancy can create custom equipment to match your facility's specific needs. Please contact us to discuss your project's requirements.

© 2016 Wenger Corporation
USA/11-16/W

