

Wire Guide Arbors

- Used in wire-guided systems to hold counterweight that balances the batten load.
- Arbor tops and bottoms are fabricated 1/2" (12.6 mm) steel plates with 3/8" (9.5 mm) holes for guide wires located on 15" (381 mm) centers.
- Arbor tops have 7 gauge (4.55 mm) steel plates with holes for lift line terminations and bolt and spacer for the hand line termination. Label on top provides safety information and locations for spreader plates.
- Arbor tops are punched to accept 8 cables.
- Two 3/4" (19 mm) steel arbor rods have three nuts at top and bottom.
- Each rod has a retaining collar with a thumbscrew incorporating an easy-to-grip plastic knob.
- 12 gauge (2.65 mm) steel spreader plate every 2' (0.6 m) (minimum 2).

Order Information

Number	Length*	Capacity+ 4" (102 mm) Weights	Capacity+ 6" (152 mm) Weights	Weight
007-85X04	4' (1.2 m)	504 lbs. (229 kg)	782 lbs. (335 kg)	34 lbs. (13.6 kg)
007-85X05	5' (1.5 m)	672 lbs. (305 kg)	1043 lbs. (473 kg)	37 lbs. (16.8 kg)
007-85X06	6' (1.8 m)	841 lbs. (381 kg)	1303 lbs. (591 kg)	40 lbs. (18.1 kg)
007-85X07	7' (2.13 m)	1009 lbs. (458 kg)	1564 lbs. (704 kg)	43 lbs. (19.5 kg)
007-85X08	8' (2.4 m)	1177 lbs. (534 kg)	1825 lbs. (828 kg)	46 lbs. (20.9 kg)

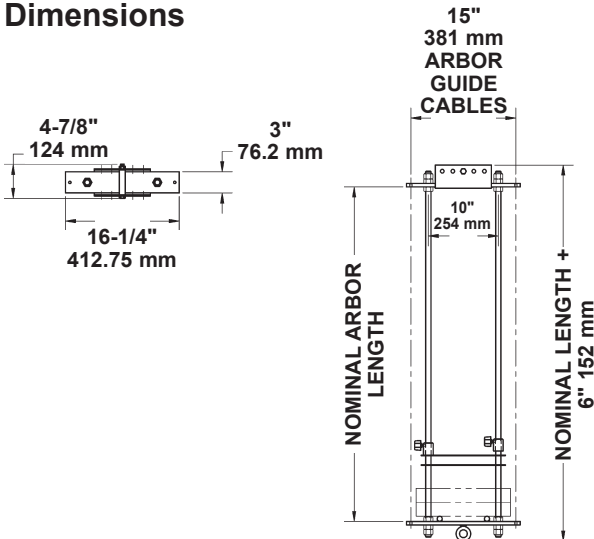
*Overall length is 5-9/16" (141.29 mm) longer than the nominal length.
+Average Capacity using J.R. Clancy steel counterweights.

RWL: RWL is maximum load that can be applied to the arbor which is in "like new" condition and has been properly installed, maintained, and operated.



Wire Guide Arbor
Single Purchase
007-85X04

Dimensions



Design, Manufacture and Installation of Theatrical Equipment Worldwide

For unusual applications, J.R. Clancy can create custom equipment to match your facility's specific needs. Please contact us to discuss your project's requirements.



© 2016 Wenger Corporation
USA/07-16/W

