

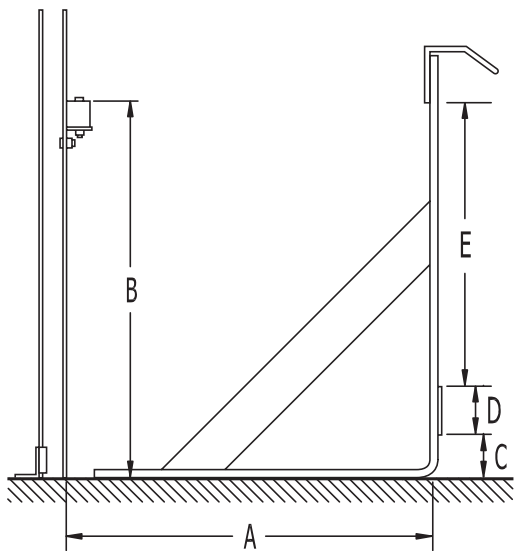
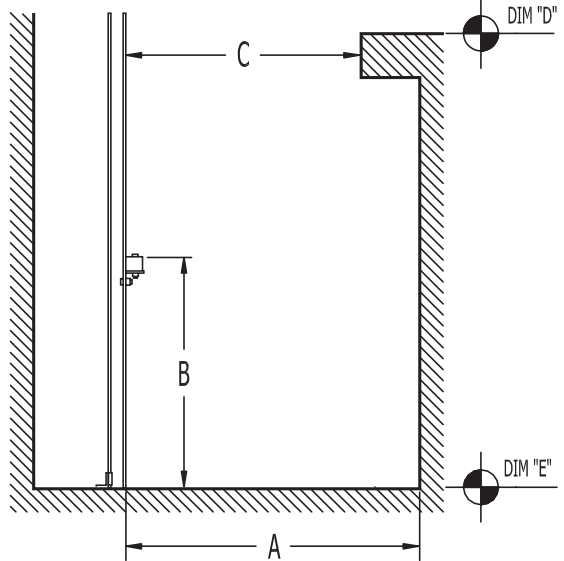
PowerAssist® Field Check Worksheet

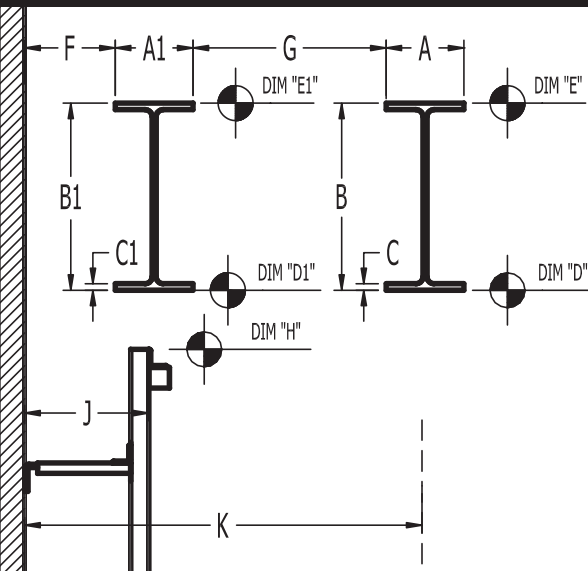
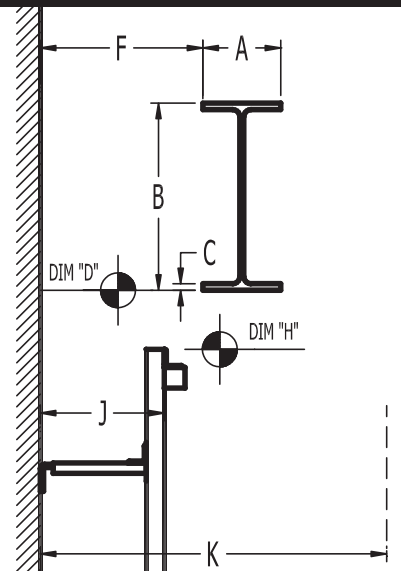
Complete form and fax to Dealer Project Manager at 315-451-1766.

Job Name: _____ Date Completed: _____

Job Location: _____ Completed By: _____

Room/Venue: _____ Company Name: _____

Mounted at Locking Rail	Mounted in Pit
	
<p>A _____</p> <p>B _____</p> <p>C _____</p> <p>D _____</p> <p>E _____</p> <p>∅ Voltage _____</p> <p>Existing Guide C/C _____</p> <p>Counterweight Width _____</p> <p>Distance Between Existing Floor Blocks _____</p> <p>Mounting: <input type="checkbox"/> Pit <input type="checkbox"/> Blocking Rail</p>	
<p>Refer to installation manual for anchoring requirements.</p> <p>NOTE: PowerAssist cannot be located next to a locking rail vertical support.</p>	

Double Head Block Beam Mounting	Single Head Block Beam Mounting
	
<p>A _____ A1 _____</p> <p>B _____ B1 _____</p> <p>C _____ C1 _____</p> <p>D _____ D1 _____</p> <p>B.O. STEEL _____ B.O. STEEL _____</p> <p>E _____ E1 _____</p> <p>T.O. STEEL _____ T.O. STEEL _____</p> <p>F _____ G _____</p> <p>H _____ J _____</p> <p>TOP OF GUIDE _____</p> <p>K _____</p> <p>EDGE OF GALLERY _____</p> <p>Headblock: <input type="checkbox"/> Upright <input type="checkbox"/> Underhung</p> <p>Measure all elevations from stage floor.</p>	

Field Notes: _____