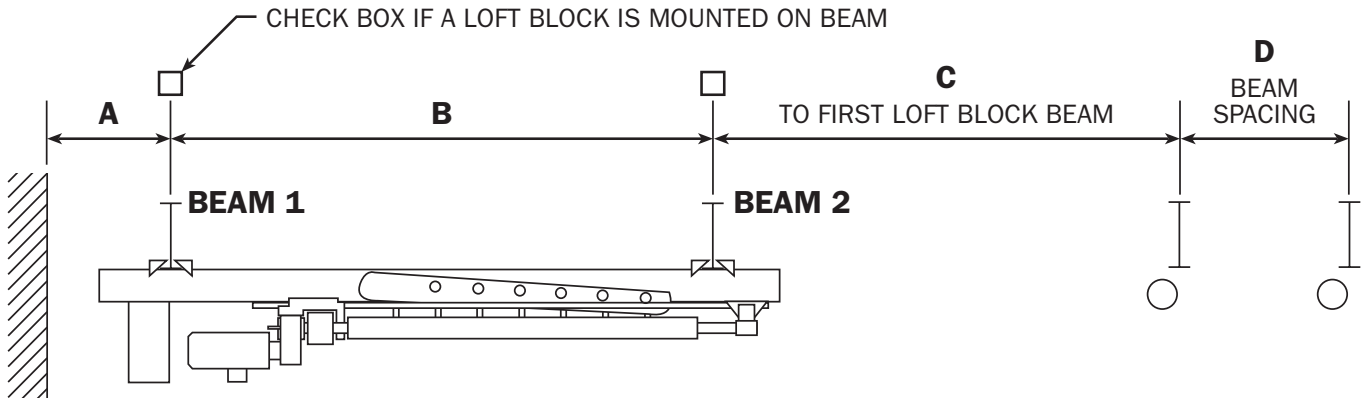


## Field Check Information Horizontal Mounting Worksheet

*Fax completed information to Dealer Project Manager at 315-451-1766*



Number of Lift Lines \_\_\_\_\_

Batten Travel \_\_\_\_\_

A \_\_\_\_\_

B \_\_\_\_\_ (4'0" Min, 12'0" Max)

C \_\_\_\_\_

D \_\_\_\_\_

|                             |                             |                            |
|-----------------------------|-----------------------------|----------------------------|
| <b>PowerLift<br/>Beam 1</b> | <b>PowerLift<br/>Beam 2</b> | <b>Loft Block<br/>Beam</b> |
|-----------------------------|-----------------------------|----------------------------|

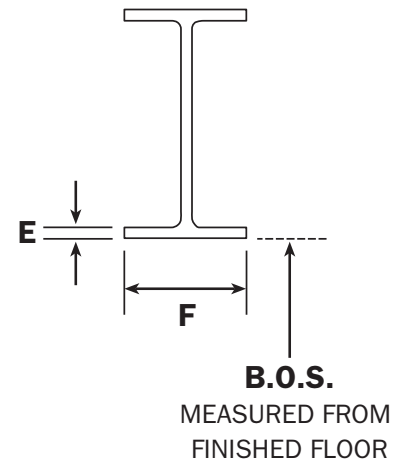
|         |       |       |
|---------|-------|-------|
| E _____ | _____ | _____ |
|---------|-------|-------|

|         |       |       |
|---------|-------|-------|
| F _____ | _____ | _____ |
|---------|-------|-------|

B.O.S. \_\_\_\_\_

Voltage \_\_\_\_\_ VAC, 3 $\phi$ , 60 Hz

### Beam Dimensions



Job Name: \_\_\_\_\_

Date Verified: \_\_\_\_\_ By: \_\_\_\_\_

Special Conditions: \_\_\_\_\_

\_\_\_\_\_

\_\_\_\_\_

Shipping Preference: (Circle one) # per pallet:    1    2    3  
# per crate:    1    2

*Each unit weighs approximately 800 lbs.*



# Field Check Information

## Vertical Mounting Worksheet

*Fax completed information to Dealer Project Manager at 315-451-1766*

**Number of Lift Lines** \_\_\_\_\_

**Batten Travel** \_\_\_\_\_

**A** \_\_\_\_\_ (4'0" Min, 12'0" Max)

**B** \_\_\_\_\_

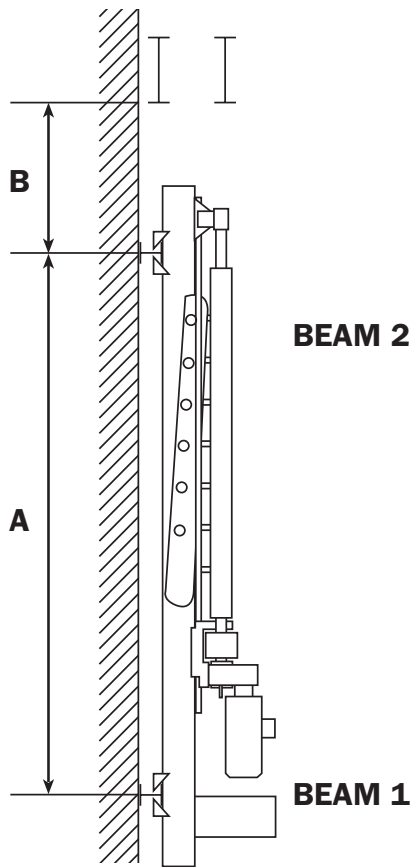
|                             |                             |
|-----------------------------|-----------------------------|
| <b>PowerLift<br/>Beam 1</b> | <b>PowerLift<br/>Beam 2</b> |
|-----------------------------|-----------------------------|

**C** \_\_\_\_\_

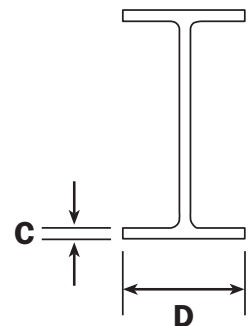
**D** \_\_\_\_\_

**Voltage** \_\_\_\_\_ **VAC, 3 $\phi$ , 60 Hz**

Fill out Counterweight Field  
Check for head and loft  
block beam information.



**Beam Dimensions**



**Job Name:** \_\_\_\_\_

**Date Verified:** \_\_\_\_\_ **By:** \_\_\_\_\_

**Special Conditions:** \_\_\_\_\_

\_\_\_\_\_  
\_\_\_\_\_

**Shipping Preference: (Circle one) # per pallet:    1    2    3**  
**# per crate:    1    2**

*Each unit weighs approximately 800 lbs.*

