

# Things You Should Know

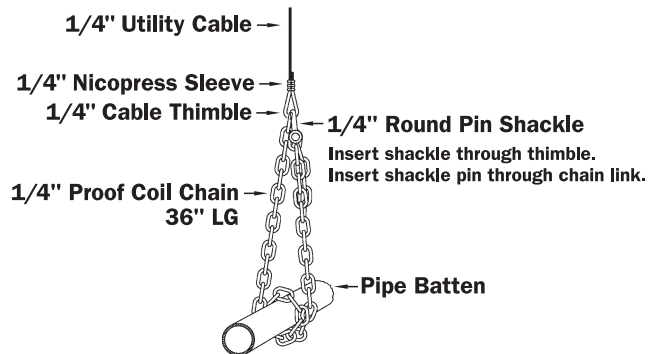
## 7x19 Utility Cable

| DIA.  | WORKING LOAD LIMIT* | MIN. PITCH DIA.** |
|-------|---------------------|-------------------|
| 1/8"  | 250 lbs.            | 3.25"             |
| 3/16" | 525 lbs.            | 4.88"             |
| 1/4"  | 875 lbs.            | 6.50"             |
| 5/16" | 1,225 lbs.          | 8.13"             |
| 3/8"  | 1,800 lbs.          | 9.75"             |

\*Based on 8:1 safety factor

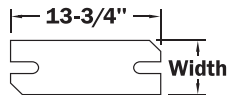
\*\*Based on 26 times the cable diameter

## Double Load Path Trim Chain



## Counterweight – Pounds per inch of thickness\*

| WIDTH | STEEL | CAST IRON |
|-------|-------|-----------|
| 4"    | 14    | 12        |
| 5"    | 17    | 16        |
| 6"    | 21    | 19        |



\*Nominal weight – actual weight ± 10%

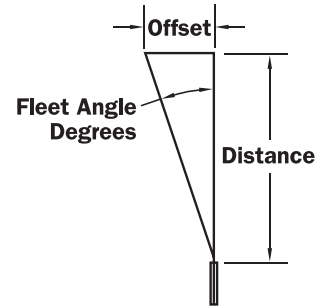
## Rope\* – Working Load Limit

| SIZE | SUREGRIP®  | MULTILINE II | STAGE-SET X |
|------|------------|--------------|-------------|
| 3/8" | —          | 320 lbs.     | 460 lbs.    |
| 5/8" | —          | 823 lbs.     | 1,250 lbs.  |
| 3/4" | 1,054 lbs. | —            | 1,670 lbs.  |
| 1"   | —          | 1,870 lbs.   | 3,200 lbs.  |

\*Based on average tensile strength of new rope using 10:1 safety factor

## Fleet Angle Data – Offset in inches

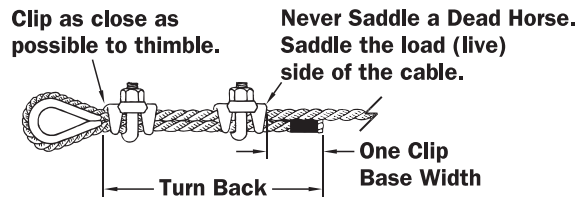
| DISTANCE | 1.5° | 2°   |
|----------|------|------|
| 1'       | .314 | .419 |
| 2'       | .628 | .838 |
| 5'       | 1.57 | 2.10 |
| 10'      | 3.14 | 4.19 |
| 15'      | 4.71 | 6.29 |
| 20'      | 6.29 | 8.38 |
| 25'      | 7.86 | 10.5 |
| 30'      | 9.43 | 12.6 |
| 40'      | 12.6 | 16.8 |



## Forged Cable Clip Information

| CLIP/CABLE SIZE | NO. OF CLIPS | TURN BACK | TORQUE*      |
|-----------------|--------------|-----------|--------------|
| 1/8"            | 2            | 3-1/4"    | 4.5 ft.-lbs. |
| 3/16"           | 2            | 3-3/4"    | 7.5 ft.-lbs. |
| 1/4"            | 2            | 4-3/4"    | 15 ft.-lbs.  |
| 5/16"           | 2            | 5-1/4"    | 30 ft.-lbs.  |
| 3/8"            | 2            | 6-1/2"    | 45 ft.-lbs.  |

\*Threads are clean, dry and not lubricated



## Turnbuckle – Forged, Jaw & Jaw or Jaw & Eye Type

| THREAD DIA. x TAKE-UP   | WORKING LOAD LIMIT |
|-------------------------|--------------------|
| 1/4" x 4"               | 500 lbs.           |
| 5/16" x 4-1/2"          | 800 lbs.           |
| 3/8" x 6"               | 1,200 lbs.         |
| 1/2" x 6" or 1/2" x 12" | 2,200 lbs.         |
| 5/8" x 6"               | 3,500 lbs.         |

## Cable Terminations\*

|                                 |                |
|---------------------------------|----------------|
| Swage Sleeve                    | 100% efficient |
| Cable Clips (Size 1/8" to 7/8") | 80% efficient  |

\*Eye with thimble, termination properly applied following manufacturer's instructions.

## Clancy Rigging Hardware

| COMPONENT            | RECOMMENDED WORKING LOAD (RWL) |
|----------------------|--------------------------------|
| Full Pipe Clamp      | 750 lbs.                       |
| Half Pipe Clamp      | 200 lbs.                       |
| Cross Grid Connector | 1,500 lbs.                     |
| Beam Clamp           | 350 lbs.                       |
| Trim Chain           | 750 lbs.*                      |

\*RWL when installed in recommended manner

## Forged Shackle

| NOMINAL SIZE | WORKING LOAD LIMIT |
|--------------|--------------------|
| 3/16"        | 666 lbs.           |
| 1/4"         | 1,000 lbs.         |
| 5/16"        | 1,500 lbs.         |
| 3/8"         | 2,000 lbs.         |
| 1/2"         | 4,000 lbs.         |

## Chain – Working Load Limit\*

| CHAIN SIZE | GRADE 30 PROOF COIL |
|------------|---------------------|
| 1/4"       | 1,300 lbs.          |
| 5/16"      | 1,900 lbs.          |
| 3/8"       | 2,650 lbs.          |

\*Chain manufacturer's rating



1-800-836-1885  
www.jrclancy.com

© 2008 J.R. CLANCY, INC.

